

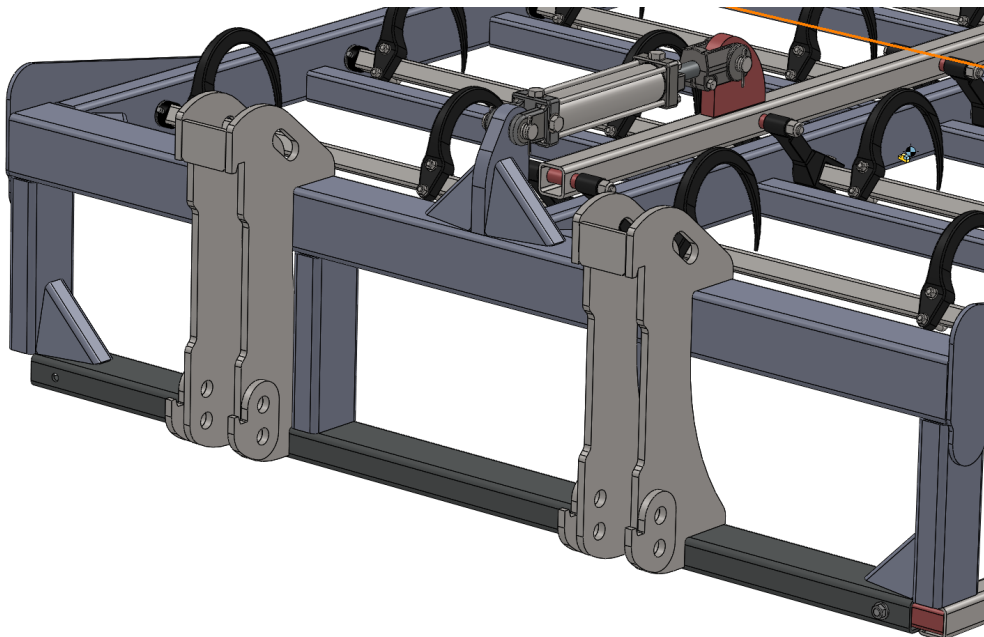
ITA Style Fork Classification Guide



Please refer to the cart below to match the height of the carriage on your forklift to the proper class. Measure from the top of upper bar to the bottom of the lower bar as indicated by the illustration above. This will let us build a bracket that will fit your forklift. You will need to remove the forks from your forklift before attaching our tool.

Class	I	II	III	IV
Capacity	Less than 2,000 lbs.	2,000-5,500 lbs.	5,501-11,000 lbs.	11,000-17,500 lbs.
Dimension	13"	16"	20"	25"

Most warehouse type forklifts and a few rough terrain forklifts use ITA standard forks. If your forklift has shaft or pin mount forks, we will need a different set of measurements.



Locking ears for bottom