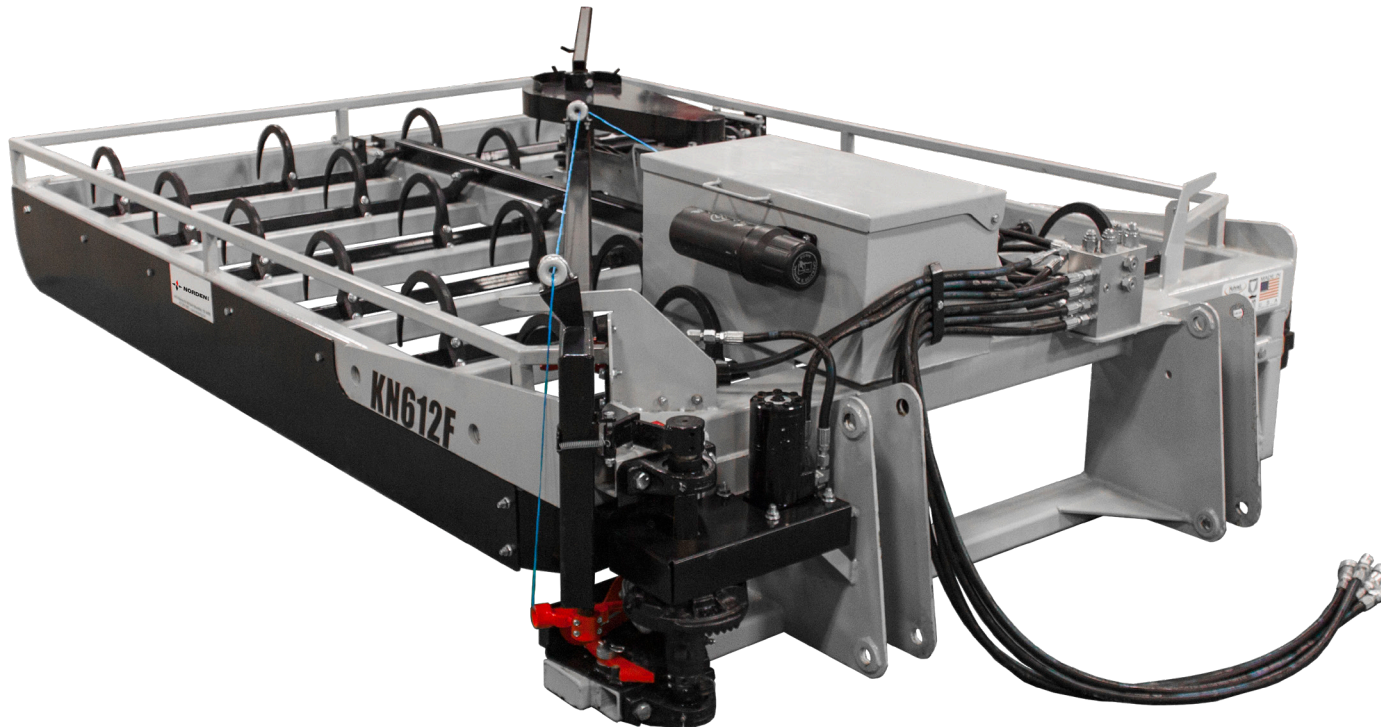




NORDEN MFG

Owner's Manual

Tie Grabber Series



MADE IN THE USA 

Read and understand the manual. This manual provides information and procedures to safely operate and maintain the Tie-Grabber.



CONTENTS

1. INTRODUCTION	4	10. SETTING AND TIMING	28
1.1 Intended Usage	4	10.1 Accessing the Knotter Components	28
1.2 Operator Orientation	4	10.2 Knife Arm	28
1.3 Warranty	4	10.3 Testing and Adjusting Knotter Assembly	29
1.4 Serial Number Location	4	10.4 Twine Disc Assembly	31
1.5 Owner's Manual Storage	5	10.5 Cam Timing Mark	31
1.6 Specifications	5	10.6 Tucker Finger	32
1.7 Definitions	5	10.7 Knotter Drive Chain	32
1.8 Product Improvements	5	10.8 Twine Arm Drive Chain	32
1.9 Disposal of Equipment at End of Useful Life	5	10.9 Twine Tensioner	32
1.10 Unanswered Questions	5	11. MAINTENANCE	33
2. SAFETY	6	11.1 Maintenance Safety	33
2.1 General	6	11.2 General Information	35
2.2 Safety Alert Symbols	6	11.4 Twine Arm	35
2.3 Safety Icons Nomenclature	6	11.5 Squeeze Arm	35
2.4 Prohibited Actions	7	11.6 Knotter	35
2.5 Personal Protection/Important Information	7	11.7 Chain Lubrication	35
2.6 Hazard Avoidance	7	11.8 Hydraulic Hoses	35
2.7 General Operating Safety	8	11.9 Flow Control Valve Plunger	36
2.8 Machine's Owner/Operator Manual	8	11.10 Springs	36
2.9 Machine's Safety Device Requirements	8	12. MAINTENANCE SERVICE SCHEDULE SHEET	37
2.10 Practice Safe Maintenance	9	12.1 Torque Requirements	38
2.11 Training	9	13. STORAGE	39
2.12 Sign-Off Form	11	13.1 Placing in Storage	39
3. SAFETY SIGNS AND LOCATIONS	12	14. TROUBLESHOOTING	40
3.1 General Information	14	15. PARTS	43
3.2 Safety Signs and Labels	14	15.1 Main Tie Grabber Assembly	43
3.3 Safety Signs and Instructional Labels	14	15.2 Hooks	44
3.4 How to Install Replacement Safety Signs	14	15.3 Squeeze Arm Assembly	45
4. LIFTING AND HANDLING	15	15.4 Twine Arm Stack	46
4.1 Lifting points	15	15.5 Twine Arm Motor Group	47
4.2 Transporting	15	15.6 Manifold Assembly	48
4.3 Highway and Transport Operations	15	15.7 Twine Box Assembly	49
4.4 Pre-transport Checklist	15	15.8 Plunger Valve Assembly	50
5. TIE GRABBER ATTACHMENT	16	15.9 Knotter Main Assembly	51
5.1 Bracket Attachment	16	15.10 Knotter Motor Group	53
5.2 Hydraulic Safety	16		
5.3 Hydraulic Connections	16		
6. CONNECTING HOSES TO MACHINE	17		
6.1 One Circuit System (Two Hose Method)	17		
6.2 Two Circuit System (Four Hose Method)	17		
6.3 System Change Over	18		
7. THREADING TWINE INTO THE TWINE ARM	20		
8. OPERATION	22		
8.1 Operation Safety	22		
8.2 Pre-Operation	22		
8.3 Tie Grabber Operation	22		
8.4 Knotter Operation	24		
9. MANIFOLD PORT LOCATIONS AND IDENTIFICATION	25		

1. Introduction

The Tie-Grabber automatically places twine around a group of bales that are deposited by the accumulator. Picking up a complete grouping of eight to eighteen bales of hay at one time allows wagons to be loaded more quickly as well as transported with more stability.

With a completely bundled grouping of hay bales, it also provides significant time savings as the need for load tie-downs is diminished to almost zero.



1.1 Intended Usage

Do not use this Tie Grabber for any other purpose than its intended use of gathering groups of bales from a field, attaching the bales into a unit with twine, and loading/unloading wagons.

1.2 Operator Orientation

The directions left, right, front, and rear, as mentioned throughout this manual, are as seen from the machine's operator's seat and facing in the direction of travel.

1.3 Warranty

Norden Mfg LLC provides a warranty for 2 years from time of purchase against all Mfg defects and any normal wear.

All accidental breakage will be the responsibility of the customer to repair.

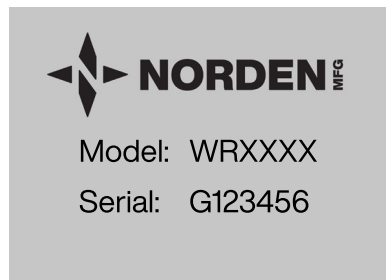
Norden Mfg LLC reserves the right to deny a warranty claim if machinery is used for anything other than its intended use.

All OEM parts are available from Norden Mfg LLC.

In the event of a warranty claim, Norden Mfg LLC may require the return of the defective or broken parts.

1.4 Serial Number Location

The Tie Grabber's serial number is located near the back right hand corner of the Tie Grabber frame. Please use this number when requesting service, seeking information, or ordering parts. Record the serial number in the space provided for easy reference when contacting Norden Mfg LLC with

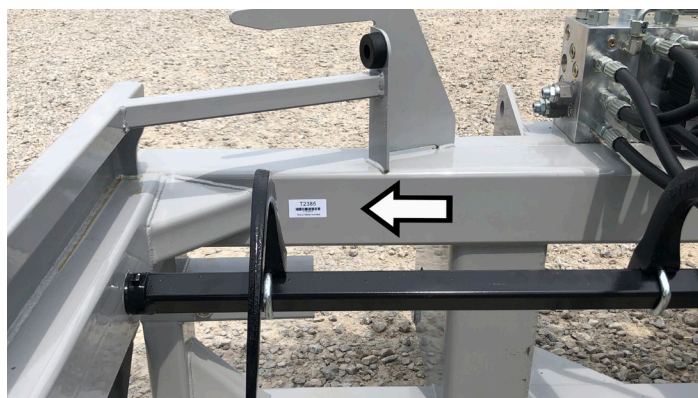


questions.

Model _____

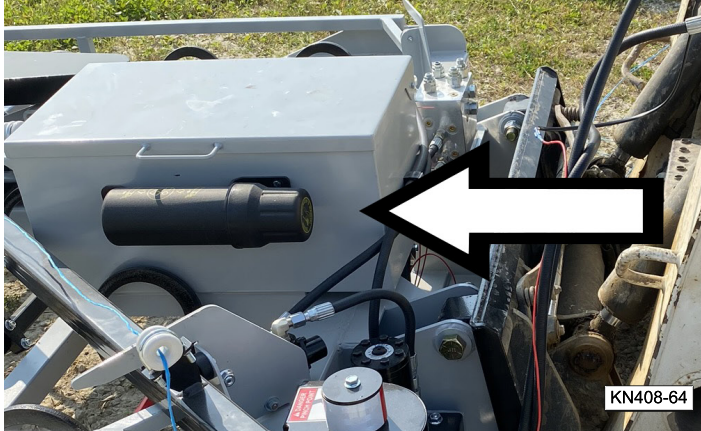
Serial Number _____

Date of Purchase _____



1.5 Owner's Manual Storage

Store the owner's manual and other operating materials in the document storage tube, located on




the left side of the twine box.

1.6 Specifications

The following chart lists the minimum lifting requirements of the loader used to operate the Tie Grabber.

WARNING

Tip Over Hazard

 Using an under-rated machine can cause the machine to tip over, resulting in serious injury or even possible death. Attach the unit only to a machine with the proper lifting capacity.

Model Number	Minimum Machine Lifting Capacity in lbs*	Minimum Machine Lifting Capacity in kg*
KN408F	2000 lbs.	905 kg.
KN510	2100 lbs.	950 kg.
KN510F	2200 lbs.	1000 kg.
KN612F	2300 lbs.	1040 kg.
KN615	2500 lbs.	1134 kg.
KN615F	2600 lbs.	1180 kg.
KN615L	2600 lbs.	1180 kg.
KN618	2800 lbs.	1270 kg.
KN618L	2900 lbs.	1316 kg.

1.7 Definitions

Machine - Either a front end loader or a skid steer loader.

Unit - One of the available KN Series Tie Grabber attachments.

1.8 Product Improvements

Because Norden Mfg LLC maintains an ongoing program of product improvement, we reserve the right to make improvements in design or changes in specifications without incurring any obligation to install them on units previously sold.

1.9 Disposal of Equipment at End of Useful Life

The Norden Mfg LLC Tie Grabber has been designed for the specific purpose of arranging bales into groups. When this unit is no longer capable of performing its intended use, it should be dismantled and scrapped. Do not use any materials or components from this unit for any other purpose.

1.10 Unanswered Questions

If you have any questions not answered in this manual, require additional copies, or the manual is damaged please contact your dealer, or:

Norden Mfg LLC
4210 Kinsman Road NW
North Bloomfield, OH 44450
Phone: 877-296-5851
Fax: 440-693-4336
E-mail: sales@Nordenmfg.com

The manual is also available for download at:

www.Nordenmfg.com

2. Safety

2.1 General

Most work related accidents are caused by failure to observe basic safety rules or precautions. An accident can often be avoided by recognizing potentially hazardous situations before an accident occurs. As you operate and maintain the Tie Grabber you must be alert to potential hazards. You should also have the necessary training, skills, and tools to perform any assembly or maintenance procedure.

WARNING

Improper operation and/or maintenance of this unit could cause a dangerous situation that results in injury or death.



Do not use the unit until you read and understand the information contained in this manual and all related equipment manuals.



Safety precautions and warnings are provided in this manual and on the unit. If these hazard warnings are not heeded, bodily injury or death could occur to you or to other persons.

Norden Mfg LLC cannot anticipate every possible circumstance that might involve a potential hazard. The warnings in this manual and on the product are, therefore, not all-inclusive. If a method of operation not specifically recommended by us is used, you must satisfy yourself that it is safe for you and for others. You should also ensure that the unit will not be damaged or be made unsafe by the methods that you choose.

The information, specifications, and illustrations in this manual are based on the information that was available at the time this material was written and can change at any time.

2.2 Safety Alert Symbols



This is the safety alert symbol. It is used to alert you to potential personal injury hazards. Obey all safety messages that follow this symbol to avoid possible injury or death.

This manual contains **DANGERS, WARNINGS, CAUTIONS, IMPORTANT NOTICES, and NOTES** which must be followed to prevent the possibility of improper service, damage to the equipment, personal injury, or death. The following key words call the readers attention to potential hazards.



DANGER

Hazards are identified by the “Safety Alert Symbol” and followed by a signal word such as “**DANGER**”, “**WARNING**”, or “**CAUTION**”.

Indicates an imminently hazardous situation which, if not avoided, will result in death or serious injury. This signal word is limited to the most extreme situations.

WARNING

Indicates a potentially hazardous situation which, if not avoided, could result in serious injury or death.

CAUTION

Indicates a potentially hazardous situation which, if not avoided, may result in minor or moderate injury.

NOTICE

Indicates that equipment or property damage can result if instructions are not followed.

SAFETY INSTRUCTIONS

Safety instructions (or equivalent) signs indicate specific safety-related instructions or procedures.

NOTE: Contains additional information important to a procedure.


2.3 Safety Icons Nomenclature


This manual and the equipment has numerous safety icons. These safety icons provide important operating instructions which alert you to potential personal injury hazards.

2.4 Prohibited Actions

-  Do not alter or modify
-  Do not weld
-  No riders
-  No children
-  No alcohol
-  No drugs

2.5 Personal Protection/ Important Information

-  Read the manual
-  Maintenance procedure
-  Eye protection
-  Hearing protection
-  Hand protection
-  Foot protection
-  First aid kit
-  Fire extinguisher
-  Inspect equipment
-  Use proper tools
-  Place in neutral
-  Weight rating
-  Use OEM parts
-  Use ROPS and seat belt
-  Maintain safety signs
-  Place in park
-  Remove key
-  Stop engine
-  Visibility
-  Check/Maintain fluid levels

 Set parking brake

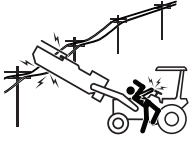
2.6 Hazard Avoidance

-  Crushing hazard
-  Crushing hazard
-  Slipping hazard
-  Tripping hazard
-  Entanglement hazard
-  Hot surface
-  Fire hazard
-  Safety alert symbol
-  Zero pressure
-  Sharp object hazard
-  Defective or broken part
-  Maintain safe Distance
-  Pinch point hazard
-  Pinch point hazard
-  Pinch point hazard
-  Overturn hazard
-  Tip over hazard
-  Hose damage hazard
-  Explosive separation hazard
-  High pressure fluid hazard



2.7 General Operating Safety

! DANGER



Electrocution Hazard

Despite operating precautions, equipment can come in contact with electrical lines. It is important to know how to handle these situations.

If the machine comes in contact with overhead power lines, stay on the machine. Ask someone to contact the local utility company immediately to remove the danger. If there's an emergency, such as an electrical fire, and you need to leave the equipment, jump as far away from the equipment as possible. Do not allow any part of your body to touch the equipment and the ground at the same time.

Once you get away from the equipment, never attempt to get back on or even touch the equipment. Many electrocutions occur when the operator dismounts and, realizing nothing has happened, tries to get back on the equipment.

! WARNING

Read And Understand Manual



To prevent personal injury or even death, be sure you read and understand all of the instructions in this manual and other related OEM equipment manuals! This Tie Grabber (unit) was designed for a specific application; **DO NOT** modify or use this unit for any application other than which it was designed. Units operated improperly or by untrained personnel can be dangerous! Inexperienced operators should receive instruction from someone familiar with the equipment before being allowed to operate the unit.

Do Not Operate



Do not use the unit if it is in need of repair. If you believe the unit has a defect which could cause injury or death, you should immediately stop using the unit.

Fall Hazard



Do not use the unit as a platform. Do not stand on top of the unit at any time. Do not ride on the unit or allow others to ride on it.

Pinch Point Hazard



Keep hands and feet away from any moving parts to prevent them from getting pinched.

Impaired User Hazard



Do not attempt to assemble, operate, or maintain the Unit under the influence of drugs or alcohol. Consult your doctor before using the Unit while taking prescription medications.

Entanglement Hazard



Keep hands, feet, clothing, jewelry, and long hair away from any moving parts to prevent them from getting caught.

CRUSH HAZARD



DO NOT GO UNDER THE UNIT FOR ANY REASON.



Stay Clear

Clear the area of people, especially small children, before using the Tie Grabber. Under no circumstances should young children be allowed to work with or around the Tie Grabber.

2.8 Machine's Owner/Operator Manual



Always refer to and be familiar with the machines owner's manual to ensure compatibility and maximum safety.

Refer to the Machine's Operator's Manual to make sure the machine used meets the minimum lifting capacity requirements for your unit. Found on page 5.

Operating the unit with a machine that does not meet the following requirements may cause damage to the unit and/or the machine and can be a danger to the operator and passersby.

Always review the "controls" section of the machine's operator's manual to be familiar with the location, settings, and function of the controls. Be familiar with all controls before using this unit.

2.9 Machine's Safety Device Requirements

WARNING

Approved Roll-Over Protective Structure (ROPS) or ROPS cab and seat belt.



Machine Safety Devices; Slow Moving Vehicle (SMV) emblem, lighting, PTO master shield.

To reduce the risk of fire, do not use a machine with an under-frame exhaust.

Rollover Hazard

To avoid serious injury or death from falling off the machine, equipment runover, rollover, or crushing: Use ROPS equipped machines.

Keep ROPS locked in the UP position.

Only operate the equipment when seated in the operators seat.

Always fasten seat belt when operating the machine.

SAFETY INSTRUCTIONS

Use caution when transporting over uneven terrain and slow down for turns.

The machine must be equipped with a roll over protective structure (ROPS) (cab or roll bar) and seat belt to protect the operator from falling off the machine, especially during a roll-over where the driver could be crushed and killed. Only operate a machine with the ROPS in the raised position and seat belt fastened.

2.10 Practice Safe Maintenance



Understand service procedures before doing any work. Keep the work area clean and dry.



Keep all parts in good working condition and properly installed. Replace worn or broken parts immediately.



Do not modify the unit or its safety devices. Do not weld on the unit. Unauthorized modifications may impair its function and safety.

2.11 Training

Anyone who will be using and/or maintaining the unit must read, clearly understand, and follow ALL safety, operation, and maintenance information presented in this manual, other related OEM manuals, and the

SAFETY INSTRUCTIONS

safety signs.

If you do not understand any information in this manual, see your dealer or contact Norden Mfg LLC before proceeding.

Do not use or allow anyone else to use this Tie Grabber until all information has been reviewed. Annually review this manual before the season start-up.

Make periodic reviews of SAFETY and OPERATION a standard practice. An untrained operator is not qualified to use this Tie Grabber.

Norden Mfg LLC follows the general Safety Standards specified by the Farm Equipment (FEMA), and the American National Standards Institute (ANSI). Anyone who will be using and/or maintaining the

WARNING



Tie Grabber must read and clearly understand ALL safety, operation and maintenance information presented in this manual.

See the Sign-Off Sheet and Information on Page 11.

Roll Away Hazard

Before leaving the operator's seat, make sure the engine is stopped, the transmission is placed in park or neutral, the key is removed, and the parking brake is set.

Rollover Hazard



The weight of the machine, plus the unit, if it rolls onto a person, could cause serious crushing injury or death.

Crush Hazard



The machine should be equipped with a roll over protective structure (ROPS) and a seat belt. A crushing hazard could occur if the operator is ejected from the seat while the machine is in motion. Fasten the seat belt whenever the machine is moving

Entanglement Hazard



Keep hands, feet, hair, and clothing away from rotating parts. Do not clean, lubricate, or adjust your unit or machine while it is moving.

Transporting Safety

Refer to “Transporting” on page 15 for safety recommendations related to transporting the Tie Grabber. All applicable safety recommendations in other sections should also be followed.

SAFETY INSTRUCTIONS

The following safety instructions are provided to help prevent injury and limit equipment damage.

Train Unfamiliar Users



It is the owner’s responsibility to make sure any person using the Tie Grabber, especially if it is loaned or rented, has been thoroughly trained on its proper and safe use.

Be certain only physically-able persons will use the Tie Grabber.

Users who have not read and understood all operating and safety instructions are not qualified to use the Tie Grabber.

Never allow children to operate equipment.

Operation Safety

Refer to “Operation Safety” on page 22 for safety recommendations related to using the Tie Grabber. All applicable safety recommendations in other sections should also be followed.

Maintenance Safety

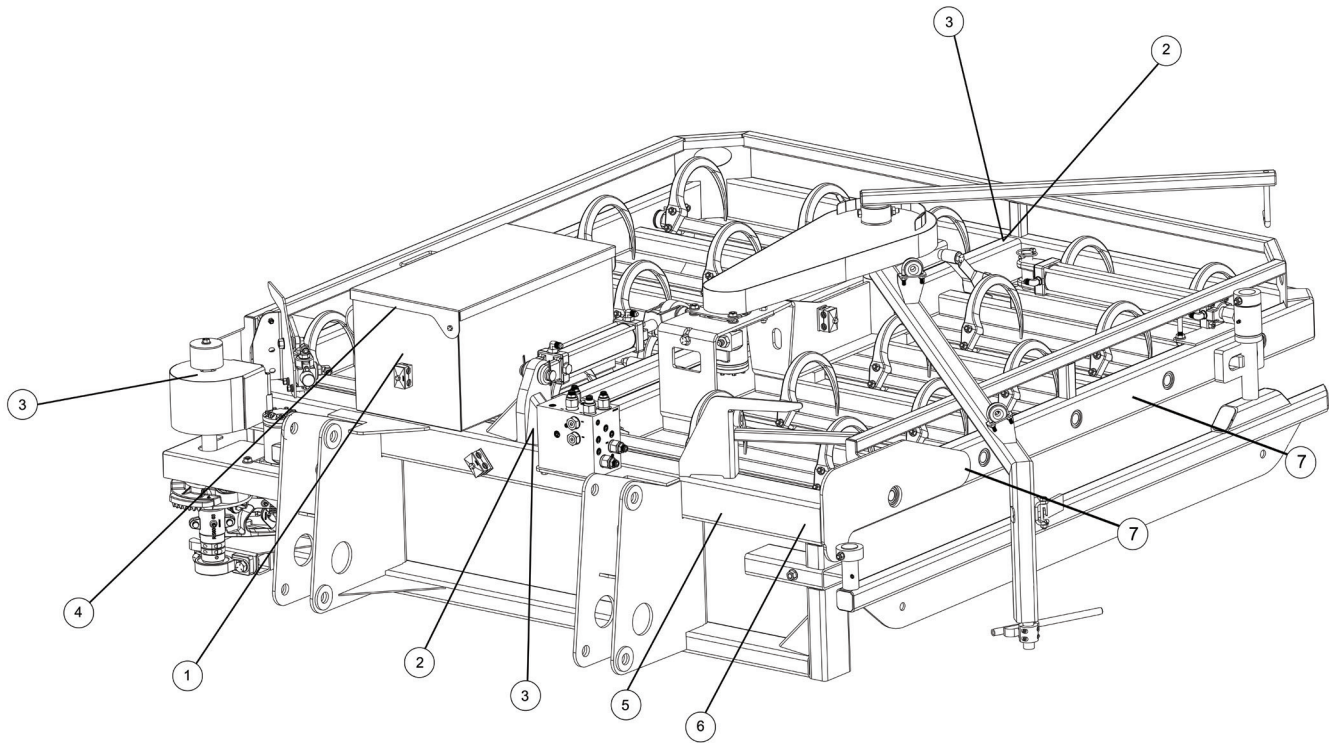
Refer to “Maintenance” on page 33 for safety recommendations related to maintaining the Tie Grabber. All applicable safety recommendations in other sections should also be followed.

Storage Safety

Refer to “Storage” on page 39 for safety recommendations related to storing the Tie Grabber. All applicable safety recommendations in other sections should also be followed.

Hydraulic Safety

Refer to “Hydraulic Safety” on page 16 for safety recommendations related to general hydraulics. All applicable safety recommendations in other sections should also be followed.



Item	Type	Description	Qty
1	WARNING	Read the manual	1
2	WARNING	No riders	2
3	DANGER	Pinch point	3
4	CAUTION	Twine threading instructions	1
5	INFORMATIONAL	Serial number	1
6	INFORMATIONAL	Made in the USA	1
7	INFORMATIONAL	Fork lift lifting point	2

1.

WARNING

READ THE MANUAL

To avoid serious injury or death:

- Do not operate or perform service on unit without reading and understanding Owner's manual.
- Avoid unsafe operating methods or maintenance procedures.
- If manual is lost, go to www.kuhnsmfg.com to download a manual.

KN-00045

2.

WARNING

STAY CLEAR, MOVING PARTS MAY PINCH.
DO NOT ALLOW RIDERS ON THIS ATTACHMENT.
STAND ASIDE WHEN ATTACHMENT IS RAISED.
KEEP THE LOADER LOW FOR STABILITY.

3.

DANGER
PINCH POINT

4.

Twine Threading Instructions

1. Rotate arm to approximately 2-3 feet from knotter.
2. Bring twine out of the box through insulator.
3. Through insulator, from middle of grabber toward the outside
4. Through insulator on end
5. Through needle
6. Tie off to 2x2 cross member
7. Rotate arm into knotter and hold until the knotter cycle is complete.
8. Return arm to opposite side
9. Remove remnant twine from 2x2

9000 Plastic twine is recommended for use with the Tie-Grabber

CAUTION

CRUSHING HAZARD
Do not stand near the unit when the twine arm is in motion. Contact with the twine arm while it is rotating can cause serious injury. Keep all children and bystanders away from unit while it is operating.

CAUTION

CRUSHING HAZARD
Stop the machine on flat ground before leaving the machine and/or continuing the twine threading operation, always make sure the machine's engine is stopped, the ignition key is removed, all controls are placed in neutral, the parking brake is set, and all hydraulic fluid pressure is relieved (zero pressure). Failure to follow these instructions can result in serious injury.

5.

NORDEN MFG

Model: WRXXXX
Serial: G123456

6.

NORDEN MFG
4210 Kinsman Rd NW
North Bloomfield, OH 44450
(877) 296-5851
www.nordenmfg.com

MEMBER
FEMA
FARM EQUIPMENT
MANUFACTURERS
ASSOCIATION

MADE IN
U S A
WITH SOME GLOBAL COMPONENTS

7.



3. Safety Signs and Locations

3.1 General Information


The types of safety signs (hazard labels) and instructional labels, along with their locations on the equipment, are shown in the previous illustrations. Good safety practices require that you familiarize yourself with the various safety signs, the type of warning, and the area or particular operation related to that area that requires your SAFETY AWARENESS.

Pay close attention to the safety signs and instructional labels attached to the machine and unit. The safety signs attached to the unit are reproduced in section 3. If the unit is missing a label or one is unreadable, replace the label before using the unit.

3.2 Safety Signs and Labels



Legible Safety Signs

 Keep safety signs clean and legible at all times. Replace any safety sign or instruction sign that is missing or not



legible.

Replacement parts that displayed a safety sign should also display the current sign. Replacement safety signs (labels) are available from your authorized Dealer Parts Department or the factory at no cost.

3.3 Safety Signs and Instructional Labels

Keep safety signs or instructional labels clean and legible at all times. Use a clean, damp cloth to clean safety decals.

1. Replace any missing or hard-to-read safety signs or instructional labels.
2. Use care when washing or cleaning the equipment. Make sure not to remove or damage the labels.

When using a pressure washer to clean the Tie Grabber, avoid spraying too close to decals; high-pressure water can enter through very small scratches or under edges of decals causing them to peel or come off.

3. Locations for the labels and replacement part numbers are shown in this section.
4. Replacement parts must have replacement labels attached before the Tie Grabber is used.
5. Labels are available from your authorized dealer or from Norden Mfg LLC at no charge.

For replacement decals, contact:

Norden Mfg LLC
4210 Kinsman Road NW
North Bloomfield, OH 44450
Phone: 877-296-5851
Fax: 440-693-4336
E-mail: parts@Nordenmfg.com

3.4 How to Install Replacement Safety Signs

1. Clean and dry the installation area.

NOTE: Do not install the signs if the temperature is below 50°F.

2. Determine the exact position for the labels before you remove the backing paper.
3. Remove the backing paper.
4. Align the sign over the specified area and carefully press the sign to the part/frame.

NOTE: Small air pockets can be pierced with a pin and smoothed out using the piece of backing paper.

4. Lifting and handling

4.1 Lifting points

Should the Tie Grabber need to be moved by a fork truck, the Tie Grabber should be lifted at the lifting points marked with the blue fork lifting decals.

The forks on the fork type truck being used should be between 48 - 60 inches in length. The fork type truck must have the lifting capacity required by the unit being moved. See the chart on page 5 for minimum lifting requirements for all units.



Tip Over Hazard



Using an under-rated machine can cause the machine to tip over, resulting in serious injury or even possible death.

4.2 Transporting



Before transporting make sure the tractor or loader used is in the good operating condition according to the OEM user's manual.



When transporting the unit on a roadway, make sure that the tractor or loader has a clearly visible SMV placard.



Make sure that the area is clear of children, animals, people and other obstacles before moving the unit. This is particularly important with higher noise levels and quiet cabs, as you may not hear people shouting.



Do not allow anyone to ride on the tractor or the unit.

4.3 Highway and Transport Operations



Always drive at a safe speed relative to conditions and ensure that your speed is low enough for an emergency stop to be safe and secure. Keep speed to a minimum.

Reduce speed prior to turns to avoid the risk of overturning.

Always keep the tractor or loader in gear to provide engine braking when going downhill. Do not coast.

Make sure when transporting with a truck or trailer to secure the Tie Grabber to the transport and to move the jackstand to the weight bearing position.

Use approved accessories lighting, flags, or other necessary warning devices to protect operators of other vehicles on the highway during daylight and nighttime transport. Various safety lights and devices are available from your dealer.

Be a safe and courteous driver. Always yield to oncoming traffic in all situation, including narrow bridges, intersections, etc. Plan your route to avoid heavy traffic.

Watch for overhead obstructions and side clearances while transporting.

Always operate equipment in a position to provide maximum visibility at all times. Make allowances for increased operating length and weight, when making turns, stopping, etc.

4.4 Pre-transport Checklist

1. Before transporting, make sure the maintenance on the tractor or loader is current.
2. Check the tire pressures on the tractor or loader and correct if necessary.
3. Make sure the unit is securely attached to the tractor or loader. Always inspect the unit and the bracket for

damage, abnormal wear, or excessive wear when hooking up.

4. Prior to transporting on a roadway, have an observer confirm that all running lights, brake lights, turn signals, and hazard lights are working.

5. Verify the brakes are operating correctly.



5. Tie Grabber Attachment

This section of the manual will go over attaching the unit to a front end loader or a skid steer loader.

The units include a loader mounting bracket of your choice.

Follow the OEM machine manufacturer's recommendations for attaching the machine to the Tie Grabber attachment.

Many units have a bolt-on attachment bracket that will allow the end user to use the same unit with various machines. The bolt-on brackets are factory installed according to the sales order.

5.1 Bracket Attachment

NOTICE

Always be sure that the bolts between the tie grabber and the mounting bracket are in place, tight, and in good condition.

When connecting from the mounting bracket to the tracker or loader follow the instructions and safety steps called for by your machine's manual.

5.2 Hydraulic Safety

WARNING

High-Pressure Fluid Hazard



Hydraulic fluid escaping under pressure can penetrate the skin. Openings in the skin and minor cuts are susceptible to infection from hydraulic fluid. If injured by a concentrated high-pressure stream of hydraulic fluid, seek medical attention immediately. Without immediate medical treatment, serious infection or toxic reaction can develop if hydraulic fluid penetrates the surface of the skin.

Hose Damage Hazard



Before applying pressure to the system, make sure all components are tight and that the hydraulic lines, hoses, and couplings are not damaged. Replace any worn, cut, abraded, flattened, or crimped hoses.

Personal Protective Equipment

Wear proper hand and eye protection when searching for a high-pressure hydraulic leak. Use a piece of wood or cardboard as a backstop instead of hands to identify and isolate a leak.

Trapped Air Hazard

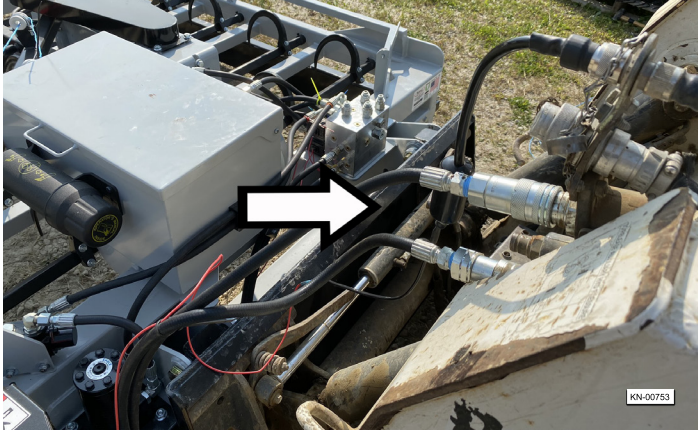


When installing, replacing, or repairing hydraulic system cylinders or parts, make sure that the entire system is charged and free of air before resuming operations. This can be done by cycling the unit a few times before starting to use the unit.

Explosive Separation Hazard



Do not make any temporary repairs to the hydraulic lines, fittings, or hoses using tape, clamps, or adhesives. The hydraulic system operates under extremely high pressure and temporary repairs may fail suddenly and create a hazardous/dangerous situation.



Make sure components in the hydraulic system are kept clean and in good working condition.

The most common reason for hydraulic component failure is contamination of the oil. Keep all hydraulic access areas completely clean, such as around the hydraulic oil filler cap, filter, and connection points. Replace any fittings, hoses, or other components where leakage is observed. Clean up any spilled hydraulic oil.

5.3 Hydraulic Connections

The Tie Grabber can work with either a two circuit system (four separate hydraulic hose connections) or a one circuit system (two separate hydraulic hose connections). In the following sections we will walk through both setups. Your machine will need a hydraulic system that meets these minimum requirements Minimum PSI of 2000 and Minimum Flow of 5gal per minute.

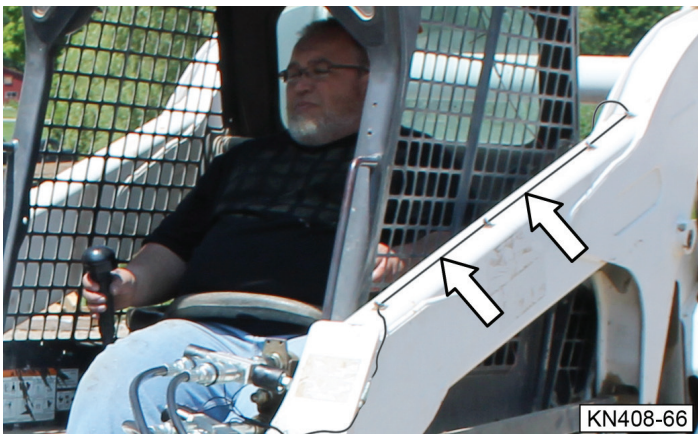
NOTE: If you are using the one circuit setup, the machine you are using will need a 12 volt power source to run the solenoids in the manifold.

Many skid steers can use an adapter kit from Skid Steer Genius (skidsteergenius.com).

NOTICE



6. Connecting Hoses to Machine



2. Then mount the provided splitter handle in the cab.
3. Next route and secure the black wire from the splitter handle out of the cab along the bucket arm and connect it to the red wire coming out of the unit.
4. Then connect the red wire on the splitter handle to a 12 volt power source.

NOTE: You should install an inline fuse between the power source and the splitter handle.

NOTICE


To prevent damage, route the wire in such a manner that it will not be damaged when the liftarms of the machine raise or lower the unit.

6.1 One Circuit System (Two Hose Method)

1. Connect the lines from Port F and Port E into one circuit on the machine.

NOTE: The connection of the hoses to the machine dictates the operation of the unit. For example, if the twine arm moves forward when the machine's control is pulled back, reversing the hoses will make the twine arm operate in reverse. The operating direction of the machine's controls should be set to the end user's preference.

NOTICE

 Check the machine's hydraulic reservoir, after connecting and cycling the unit, for proper fluid level. Operating the machine without the proper oil level can cause damage to both the unit and the machine.

6.2 Two Circuit System (Four Hose Method)

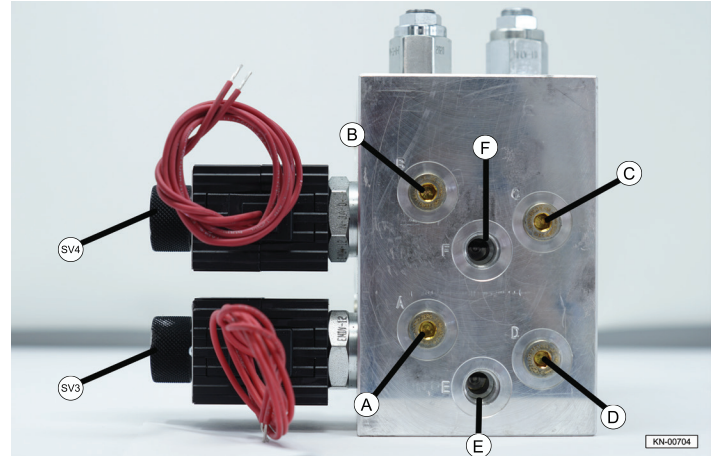


With a four hose system there is no need for solenoids on the unit because the system has two circuits. If the sales order calls for this system it will be factory installed.

1. Connect the lines from Port A and Port B into one circuit on the machine.
2. Connect the lines from Port C and Port D into a different circuit on the machine.

6.3 System Change Over


If at any point the user wishes to change from one system to the other, Norden Mfg LLC should be contacted to supply the OEM part. Once you have



parts, steps in this section can be followed. This section only pertains to manifolds produced in 2019 and later.

6.3.1 Changing from One Circuit System to a Two Circuit System

WARNING

 Before disconnecting any hydraulic hoses or fittings on or from the unit make sure the hydraulic fluid pressure is relieved to zero pressure. Failure to follow this safety instruction can result in serious injury and possible death. OEM Parts for a Two Circuit System Change Over

1. Disconnect the unit from the machine and relieve any hydraulic pressure in the unit.
2. At the manifold remove the hoses and adapters from Port F and Port E.
3. Remove the plugs from Port A, Port B, Port C, and Port D.
4. Use two of the plugs you removed in step 3 to plug Port E and Port F.
5. Remove the two Solenoids from Port SV3 and Port SV4.

6. Install an OEM cavity plug in Port SV3 and Port SV4.

7. Remove the solenoid wire from the unit.

8. Connect hoses to the following Ports using the adapters, Port A, Port B, Port C, and Port D.

9. Reconnect the unit to the machine following the steps in the Four Hose Method section.



NOTE: The connection of the hoses to the machine dictates the operation of the unit. For example, if the twine arm moves forward when the machine's control is pulled back, reversing the hoses will make the twine arm operate in reverse. The operating direction of the machine's controls should be set to the end user's preference.

NOTICE



Check the machine's hydraulic reservoir, after connecting and cycling the unit, for proper fluid level. Operating the machine without the proper oil level can cause damage to both the unit and the machine.

6.3.2 Changing from Two Circuit System to a One Circuit System

WARNING



Before disconnecting any hydraulic hoses or fittings on or from the unit make sure the hydraulic fluid pressure is relieved to zero pressure. Failure to follow this safety instruction can result in serious injury and possible death.

OEM Parts for a Two Hose Change Over

1. Disconnect the unit from the machine and relieve any hydraulic pressure in the unit.
2. At the manifold remove the hoses from Port A, Port B, Port C, and Port D.
3. remove the plugs from Port E, Port F, Port SV3, and Port SV4.
4. Install an OEM Solenoid in each of the following Ports; Port SV3 and Port SV4.
5. Install one of the four OEM plug in each of the following Ports Port A, Port B, Port C, and Port D.
6. Connect hoses to the following Ports, Port E and Port F.
7. Ground the solenoids by connecting one wire from each solenoid to one of the manifold mounting bolts.
8. Splice the second wire from each solenoid together and attach a 6ft lead.
- 9.a. The handle needs to be mounted onto the machine. The red wire need to be attached to a 12 volt source on your machine. The black wire needs to follow your loader boom out and attach onto your tire grabber 6ft lead.
- 9.b. Or for many skid steers you can use an adapter kit from Skid Steer Genius (skidsteergenius.com).
10. Reconnect the unit to the machine following the steps in the two hose method.

NOTICE

 Check the machine's hydraulic reservoir, after connecting and cycling the unit, for proper

WARNING

fluid level. Operating the machine without the proper oil level can cause damage to both the unit and the machine.



7. Threading Twine into the Twine Arm

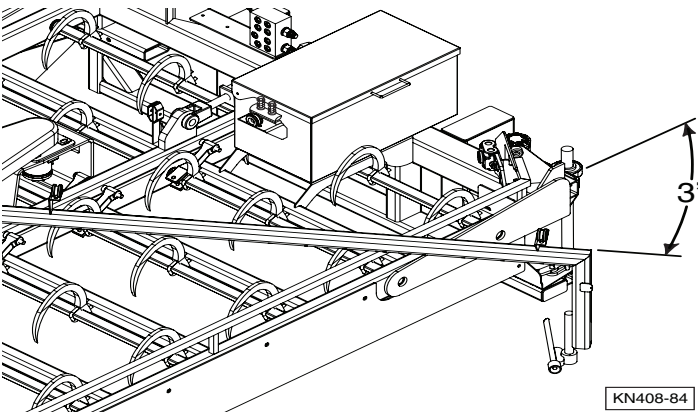
CAUTION

Instructions can result in death.

Read and understand the Operator's Manual and all safety signs before operating the unit.

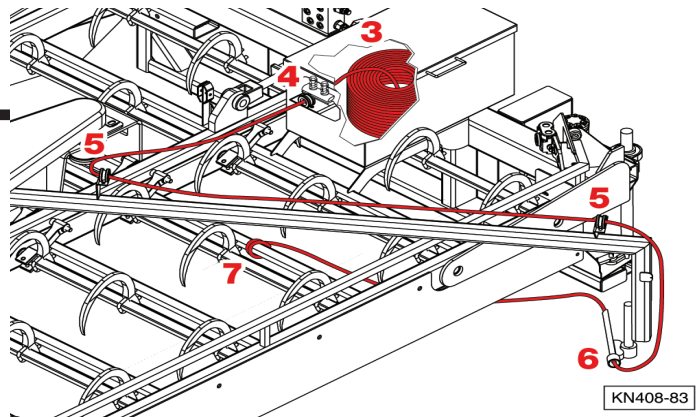


Do not allow riders on the unit or the machine.



KN408-84

CAUTION



KN408-83

Stop the Machine's engine, remove the ignition key, and wait for all moving parts to stop before leaving the machine.

Keep all bystanders, especially children, away from the machine and the unit when operating, loading, and unloading.

Keep hands, feet, hair, and clothing away from rotating parts.

Do not place hands, fingers, or arms between moving parts.

Stay away from overhead power lines. Electrocution can occur without direct contact.

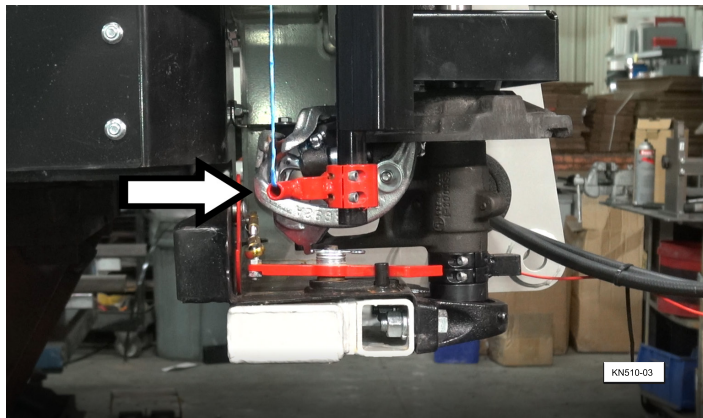
Crushing Hazard

Do not stand near the unit when the arm is in motion. Contact with the twine arm while it is rotating can cause serious injury or can cause the person to become trapped between the twine



arm and the unit, which can cause serious injury or death. Keep all bystanders, especially children away from the unit while it is operating.

1. Press and hold the lever/control for the "Twine Arm Forward" circuit to rotate the twine arm, to the position shown, approximately three feet from the knotter.
2. Stop the machine

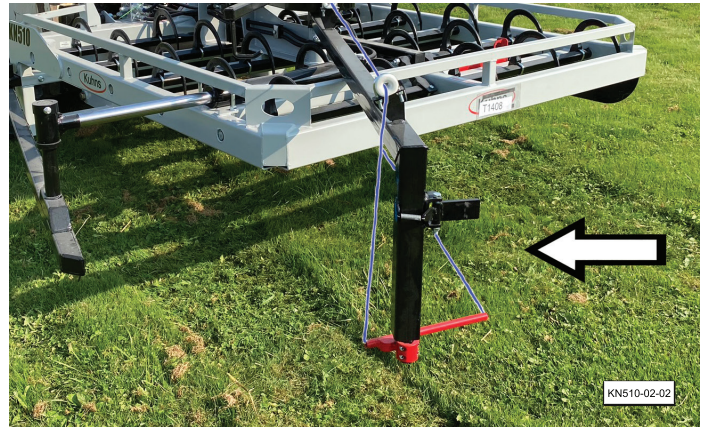


CRUSHING HAZARD



Stop the machine on flat ground before leaving the machine and/or continuing the twine threading operation, always make sure the

machine's engine is stopped, the ignition key is removed, all controls are placed in neutral, the parking brake is set, and all hydraulic fluid pressure is relieved (zero pressure). Failure to



follow these instructions can result in serious injury.



3. Place the twine spool in the box on top of the unit.



NOTE: A plastic twine with a 9000-130 rating

is recommended for this unit. In many cases two rolls of twine can be spliced together by tying a small knot and trimming the ends as close as possible to the knot. This small knot will in most cases thread through the eyelets.

4. Thread the twine through the tension bars (4) and through the first twine eyelet.
5. Thread the twine through the two eyelets (5) on the



twine arm as shown.

6. Thread the twine through the needle assembly (6).
7. Tie the end of the twine to one of the frame

members (7), as shown.

NOTE: Tying the end of the twine too close to the knotter assembly may cause it to thread the twine incorrectly.

8. Make sure everyone is standing clear of the unit particularly the twine arm. Start the machine.



CRUSHING HAZARD



Do not stand near the unit when the arm is in motion.



Contact with the twine arm while it is rotating can cause serious injury or can cause the person to become trapped between the twine arm and the unit, which



can cause serious injury or death. Keep all bystanders, especially children away from the unit while it is operating.



9. Press and hold the lever/control for the “Twine Arm Forward” circuit to extend the needle into the knotter. Continue to hold the lever/control until the knotter indicator comes to a stop



NOTE: The knotter indicator will rotate when the knotter is in motion.



10. Press and hold the lever/control for the “Twine Arm Return” circuit to return the twine arm to its retracted position.

11. Stop the machine.

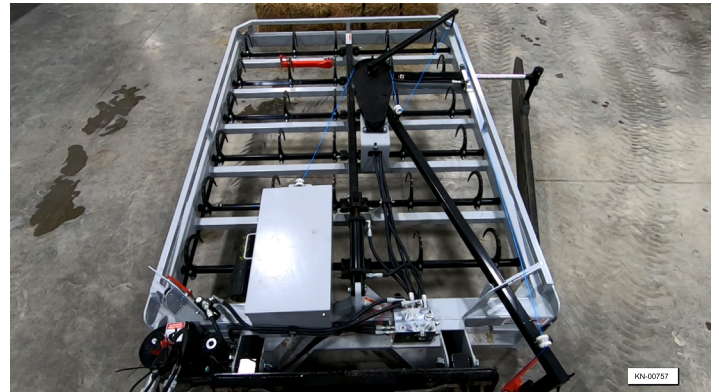
CRUSHING HAZARD

Stop the machine on flat ground before leaving the machine and/or continuing the twine threading operation, always make sure the machine’s engine is stopped, the ignition key is removed, all controls are placed in neutral, the parking brake is set, and all hydraulic fluid pressure is relieved (zero pressure). Failure to follow these instructions can result in serious injury.

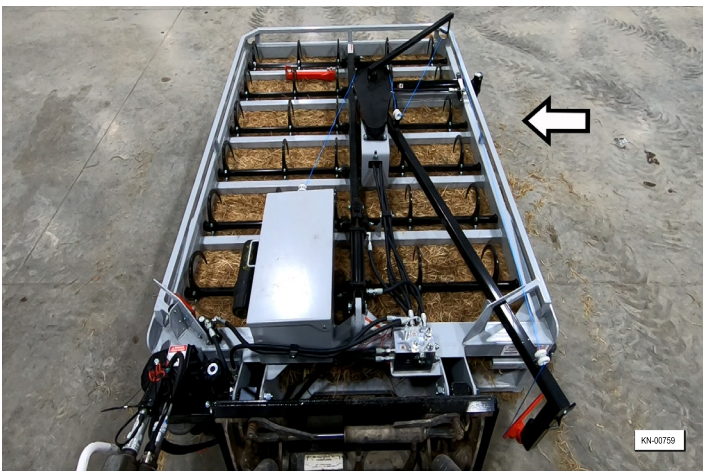
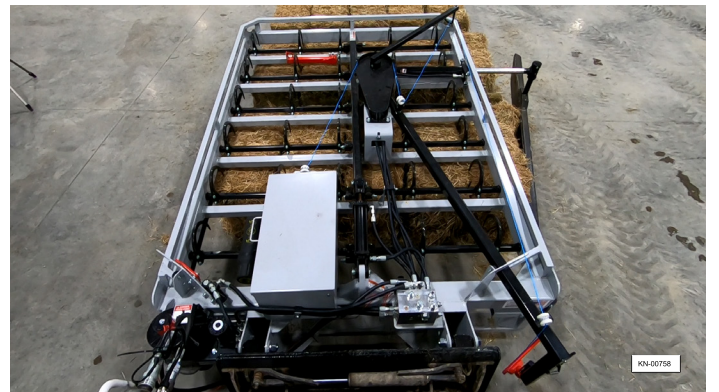
8. Operation

12. Remove the short piece of twine that was tied to the frame member in step 7.

13. The unit should now be correctly threaded and



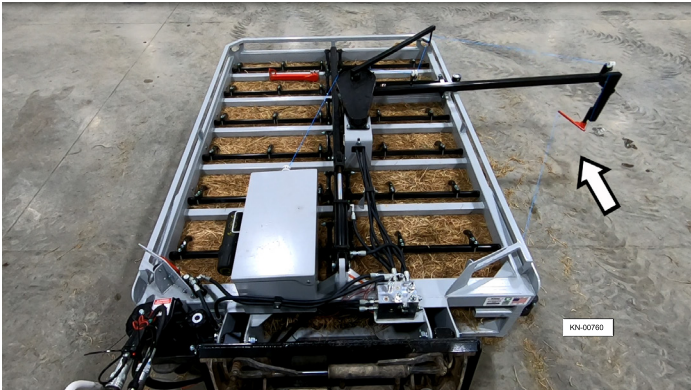
ready for operation.



8.1 Operation Safety

WARNING

Not following these safety instructions can result in



serious injury and possible death.

Read and understand the Unit's Owner's Manual as well as the Machine's Operator's Manual and all safety signs before operating the unit.

Do not allow riders on the unit or the machine.



Stop the Machine's engine, remove the ignition key, and wait for all moving parts to stop before leaving the machine.

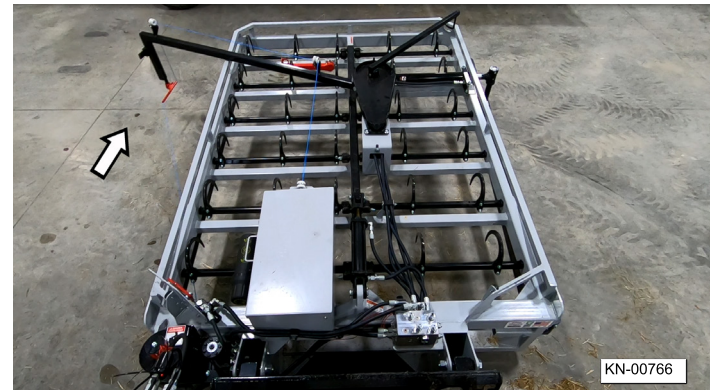
Keep all bystanders, especially children, away from the machine and the unit when operating, loading, and unloading.



Keep hands, feet, hair, and clothing away from rotating parts.

Do not place hands, fingers, or arms between moving parts.

Stay away from overhead power lines.



Electrocution can occur without direct contact.

8.2 Pre-Operation

Make sure that the jack-stand is set to the non-weight bearing position when in operation.

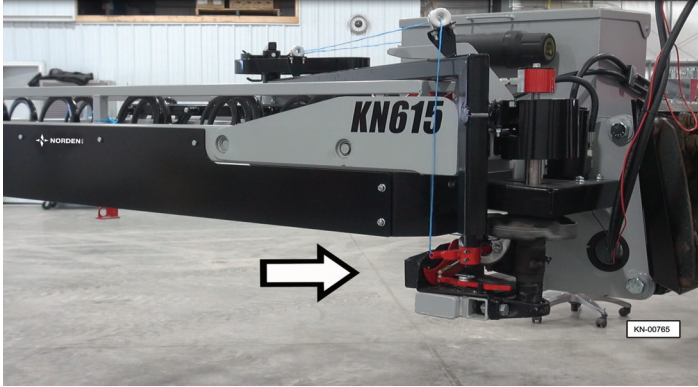
Make sure that the fluid in the hydraulic reservoir on the machine is at the proper level to avoid damage to the hydraulic system and ensure proper operation.

Check the twine box for twine to prevent down time in the field and the need to rethread the twine arm and the needle.

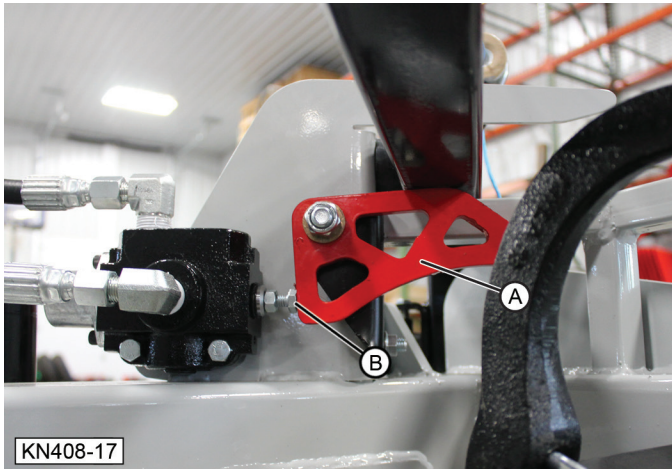
8.3 Tie Grabber Operation

NOTE: In a two circuit system any reference to the Tie Grabber

button on the splitter handle can be thought of as the second circuit that controls the twine arm and knotter.

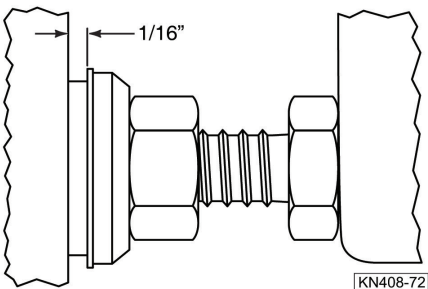


1. If necessary, reset the twine arm.
2. Position the unit over the bales. Driving slightly forward and to the right will condense the bales into a



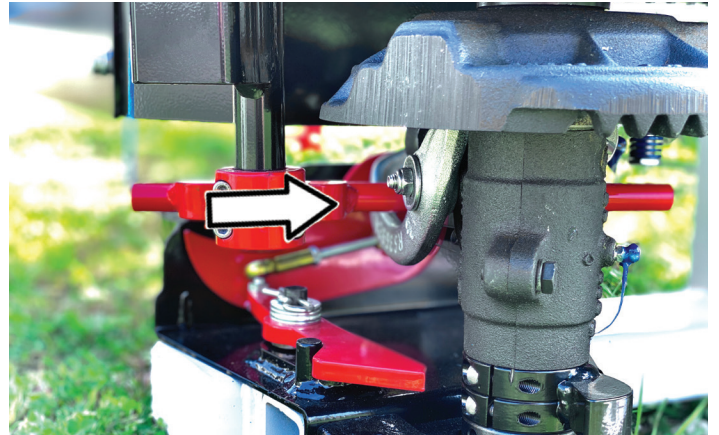
more compact grouping.

3. Press and hold the lever/control for the “Close Squeeze Arm” circuit. Releasing the lever at any point in the operation will stop the movement.
4. Continue to hold the “Close Squeeze Arm” lever/control and once the squeeze arm is fully closed, the hooks will automatically extend into the bales. Lift the bales.



5. Press and hold the button on the splitter handle while operating the lever/control for the hydraulic circuit to extend the twine arm around the bales. Releasing the lever at any point in the operation will stop the movement.

6. Continue to hold the button on the splitter handle



while operating the lever/control and once the twine arm needle threads the twine completely, the knotter assembly will automatically tie the twine. Do not release the button on the splitter handle or lever/control while the knotter is in operation.

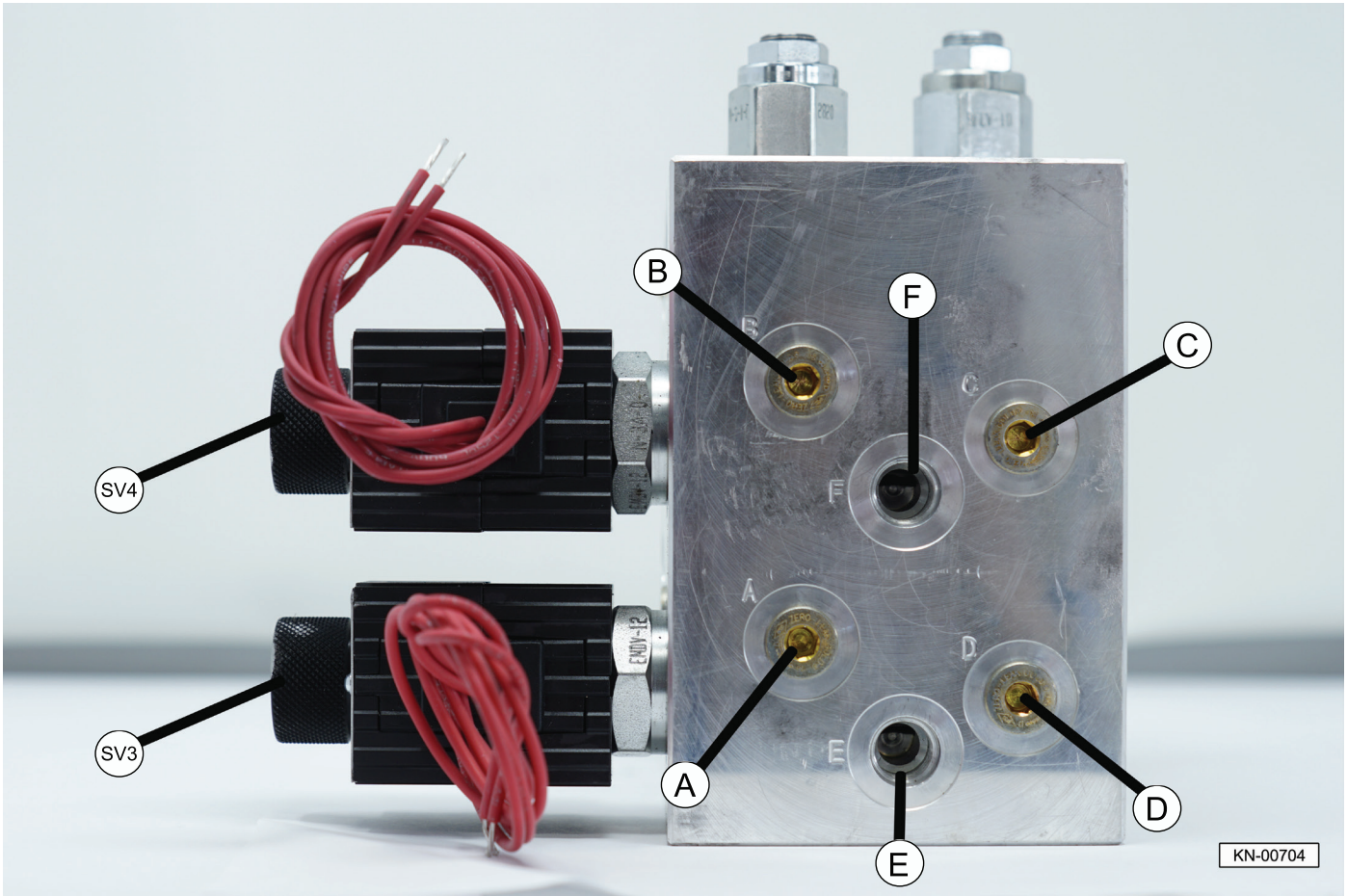
7. Set the bales in the desired location. Use the lever/control to release the hooks. As soon as the hooks have released, release the lever/control. This will prevent the squeeze arm from opening.

NOTE: In most cases, fully opening the squeeze arm without lifting the unit off of the bales, can cause the twine to break or the bundle of bales to loosen, do to the twine stretching.

8. Lift the unit up and back straight simultaneously above the bales and back out. Once clear of the bales, activate the squeeze arm open circuit to open the squeeze arm.

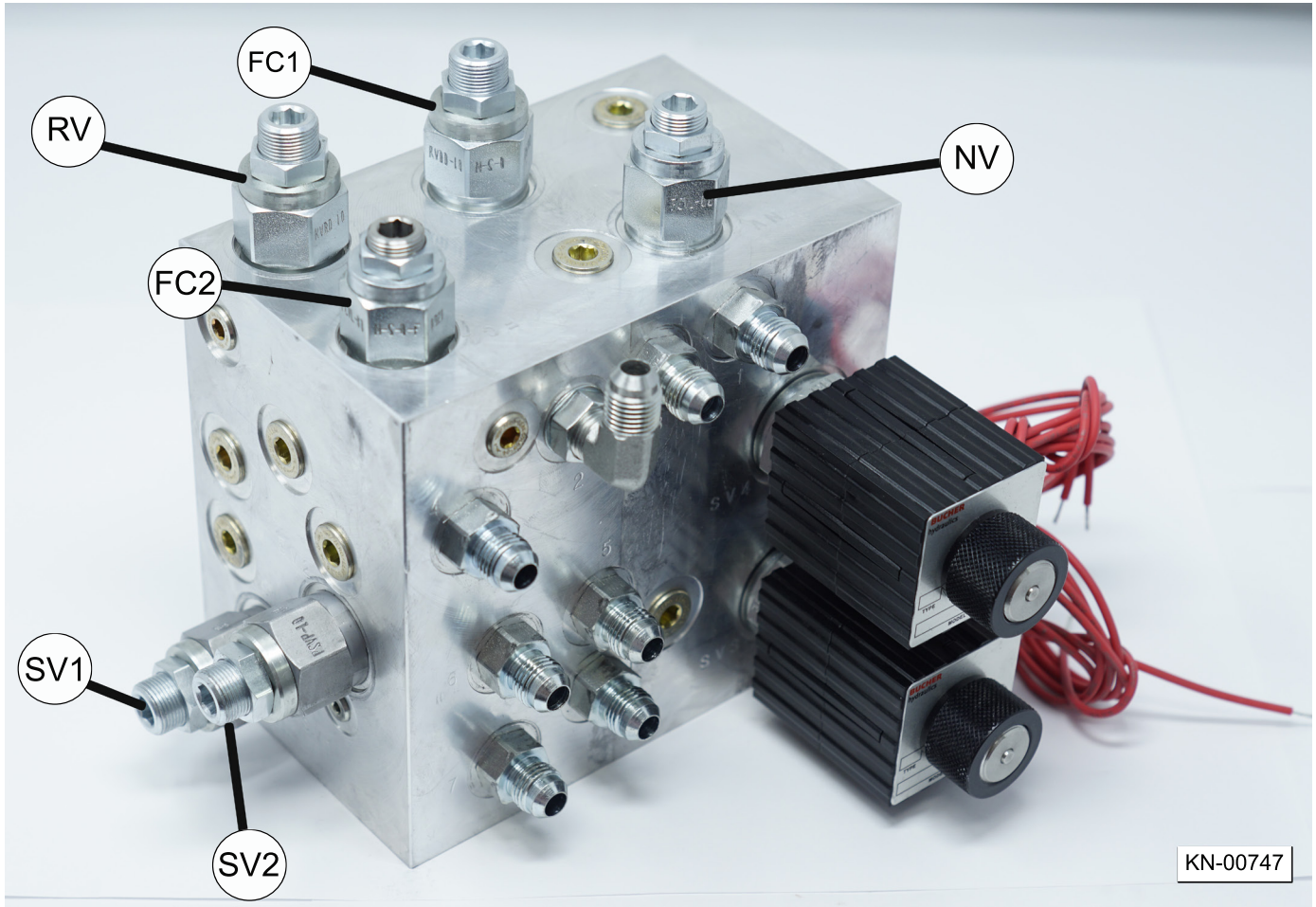
9. Press and hold the button on the splitter handle while operating the lever/control for the hydraulic circuit, until the twine arm returns to its retracted

position and then release the button and lever/control. Releasing the lever at any point in the operation will stop the movement.

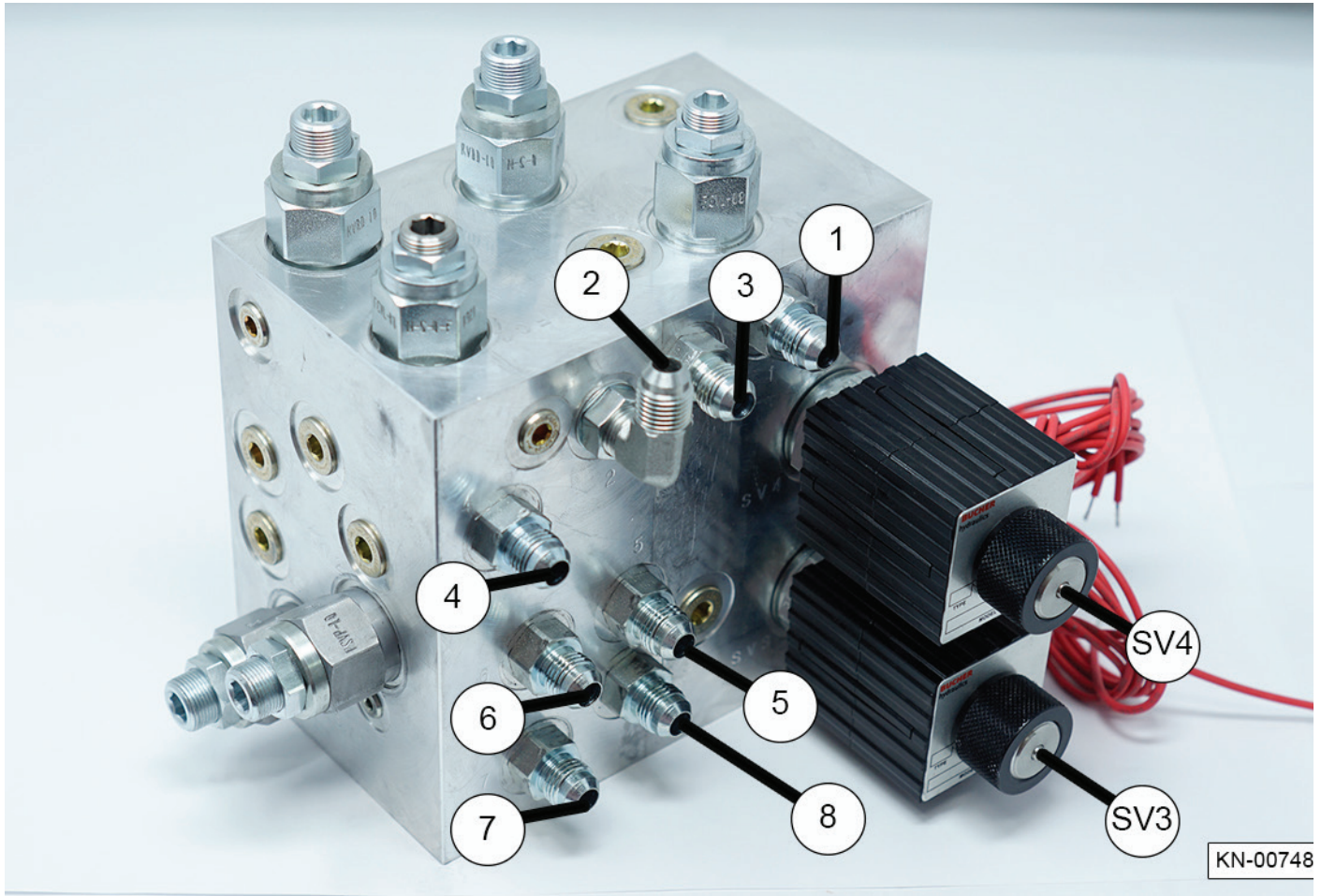


Port ID	One Circuit System Description	Fitting Part Number
A	Plug	1016480
B	Plug	1016480
C	Plug	1016480
D	Plug	1016480
E	Used as feed line for one circuit system	1009680
F	Used as feed line for one circuit system	1009680

Port ID	Two Circuit System Description	Fitting Part Number
A	Used as feed-line for twine-arm/knotter in two circuit system	1009680
B	Used as feed-line for twine-arm/knotter in two circuit system	1009680
C	Used as feed-line for hook/squeeze in two circuit system	1009680
D	Used as feed-line for hook/squeeze in two circuit system	1009680
E	Plug	1016480
F	Plug	1016480



Port ID	One and Two Circuit System Description	Fitting Part Number
NV	Adjusts the knotter speed	1009630
FC1	Adjusts twine arm speed coming into the knotter	1009650
FC2	Adjusts twine arm speed leaving the knotter	1009640
RV	Crossover relief valve	1009660
SV1	Adjusts when squeeze moves after hook release	1009010
SV2	Adjusts when hooks start to grab bales, after the squeeze arm is in	1009010
CV1	Check valve, non-adjustable	1009670
CV2	Check valve, non-adjustable	1009670



Port ID	One Circuit System Description	Fitting Part Number
SV3	Splitter solenoid	1009620
SV4	Splitter solenoid	1009620
1	To plunger valve	1009680
2	To knotter motor right	1009690
3	To twine arm motor right	1009680
4	To twine arm motor left	1009680
5	To squeeze retract	1009680
6	To hooks extend	1009680
7	To squeeze extend	1009680
8	To hooks retract	1009680

Port ID	Two Circuit System Description	Fitting Part Number
SV3	Cavity plug	1017550
SV4	Cavity plug	1017550
1	To plunger valve	1009680
2	To knotter motor right	1009690
3	To twine arm motor right	1009680
4	To twine arm motor left	1009680
5	To squeeze retract	1009680
6	To hooks extend	1009680
7	To squeeze extend	1009680
8	To hooks retract	1009680

8.4 Knotter Operation

1. The needle brings the twine into the knotter.
2. At the same time the needle goes into the knotter, the twine arm presses down on the actuation lever (A) which presses on the adjustment bolt (B) and opens the plunger valve. This sends hydraulic fluid to the motor which rotates the knotter mechanism.

NOTICE

Hydraulic oil flow through the valve is controlled by the adjustment bolt. A 1/16 inch gap is recommended between the snap ring and the valve body. Damage will occur to the valve spool if the snap ring contacts the valve body.

3. The hydraulic motor, through the drive chain, turns the shaft for the assembly. As the cam on the shaft rotates, it contacts the rocker arm which then extends the tucker finger and passes the twine into the knotter.

4. With the needle extended through the knotter, the knotter then takes the twine and ties the knot.

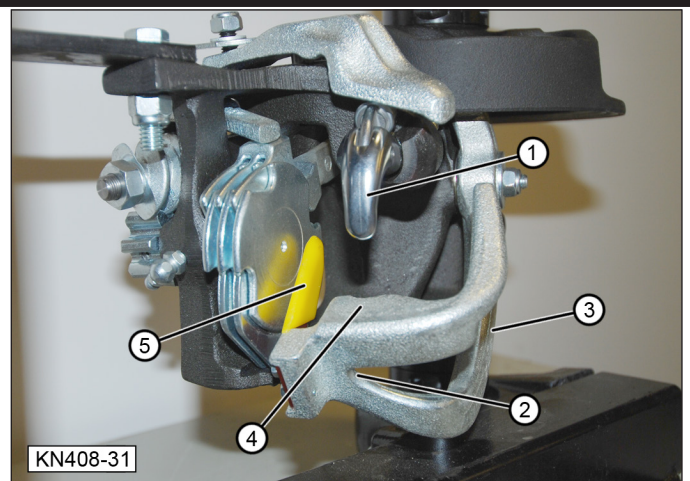
5. As the knotter assembly finishes tying the knot, the shaft has rotated and contacts knotter stop plate. This plate prevents the knotter from further rotation.

When the twine arm returns to its retracted position, the actuation lever releases the flow control valve and stops hydraulic oil flow to motor. The motor stop plate, part of the twine arm, is also retracted. Since there is no hydraulic flow to the motor it is positioned for the next cycle.

9. Manifold Port Locations and Identification

10. Setting and Timing

NOTE: All of the cartridges come factory set and tested. Should an adjustment be needed, loosen the set nut on the valve, using a 5/16 allen key, turn the valve no more than 1/4 turn at a time. Retesting the operation between each adjustment. Once set, be sure to tighten the jam nut. The sequence valves are used to cycle the unit between various functions. When the hydraulic oil pressure reaches the desired setting for the initial function, the oil flow is diverted to the second function. For example, when the squeeze arm clamps onto the bales, the pressure builds and then the sequence valve directs the flow to the bale hooks which low-



er into the bales.

SV1

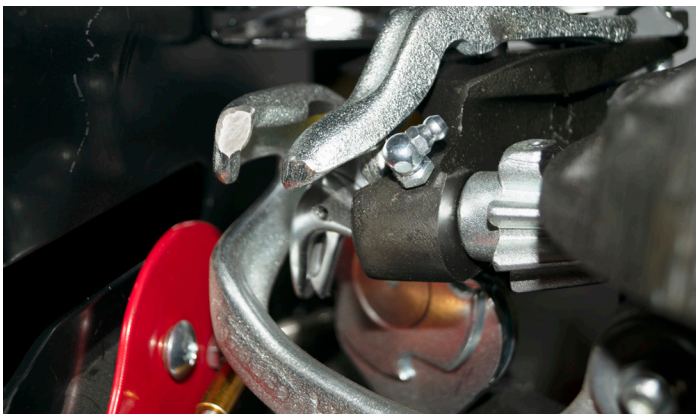
The SV1 port on the manifold has one of the sequence valve cartridges in it. It is used to adjust when the squeeze bar starts to open.

SV2

The SV2 port on the manifold has one of the sequence valve cartridges in it. It is used to adjust when the hooks start to grab the bales.

FC1

The FC1 port on the manifold has the backflow



control valve in it. It is used to adjust the twine arm speed as it goes in to the knotter.

FC2



The FC2 port on the manifold has one of the flow control valves in it. It is used to adjust the twine arm speed as it leaves the knotter.

NV

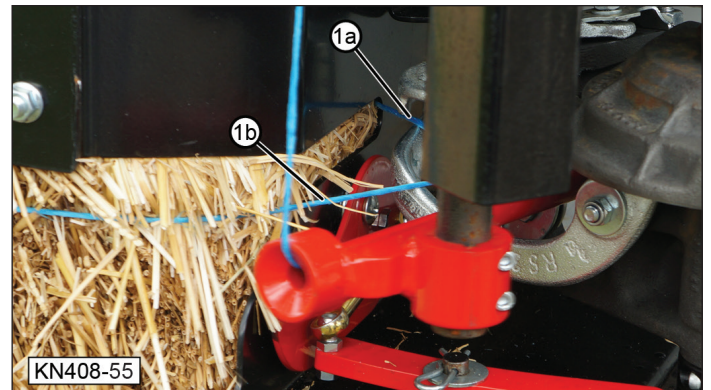
The NV port on the manifold has one of the flow

control valves in it. It is used to adjust the knotter

speed.

RV

The RV port on the manifold has the crossover relief valve in it. Adjusting the crossover relief will adjust how much hydraulic pressure goes to the knotter



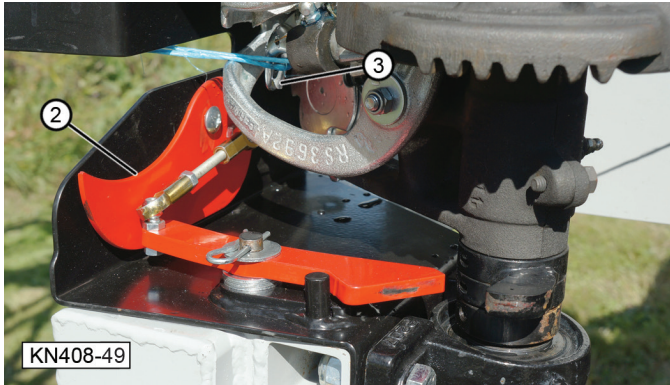
10.1 Accessing the Knotter Components



When completing a maintenance or service function, make sure all safety shields and devices are installed before placing the Tie Grabber back in service.

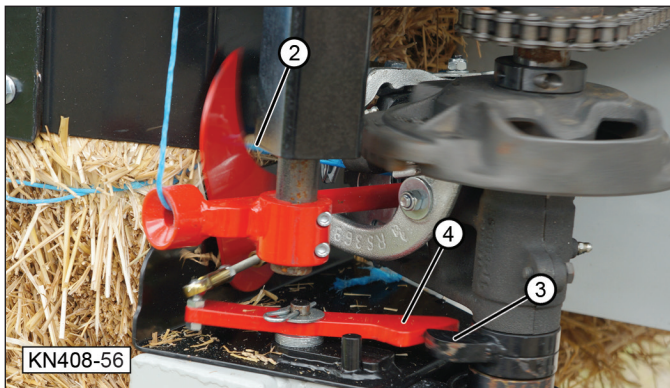
Keep hands and fingers away from rotating and/or mating parts to prevent injury.

Keep hands and fingers away from the knife arm and knife blade. When changing the knife blade wear hand



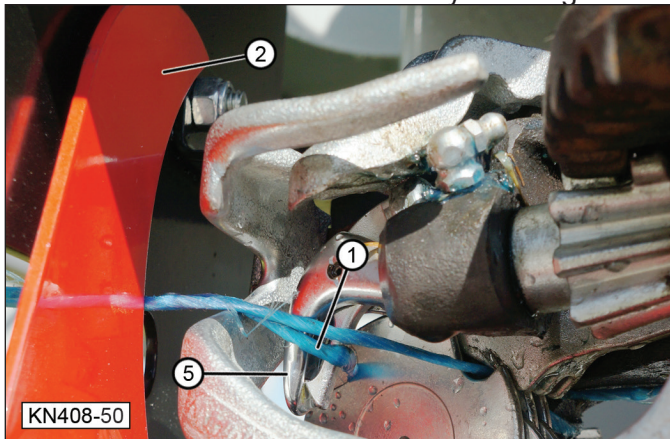
protection and use **CAUTION.**

When accessing and making adjustments to the knotter use the correct tools for the parts being adjusted.



Start by removing the knotter indicator, the knotter stop shield, the knotter chain shield, the knotter motor chain, and the knotter service bolt.

This will allow the knotter assembly to swing out of



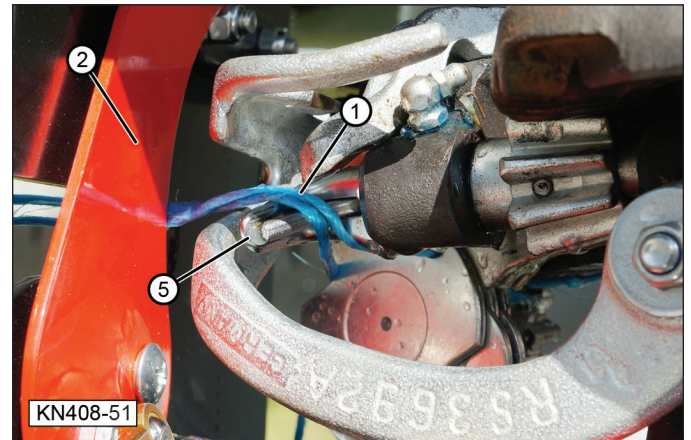
the knotter pocket and into a servicing position for the knotter and its components.

10.2 Knife Arm

The knife arm should be adjusted to allow bill hook
Norden Mfg (877) 296-5851

finger (1) to rotate freely, but not contact knife arm (3).

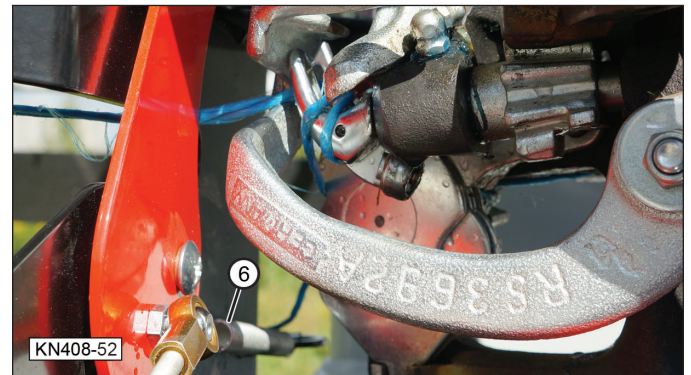
The twine guide area (2) must be kept smooth to prevent twine breakage. Once a groove begins to wear into the twine guide area, knife arm (3) must be



replaced.

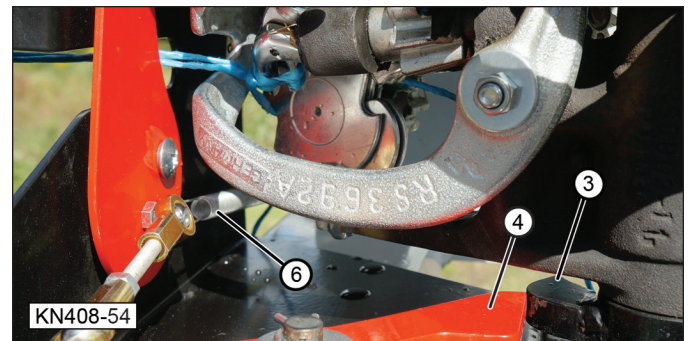
Replace knife (5) as soon the knot begins to have excess twine on the end or the twine is frayed.

1. To adjust knife arm (3), release the knotter frame



to gain access to the knife arm.

2. Bend the knife arm to the desired position, using an appropriate bending tool.



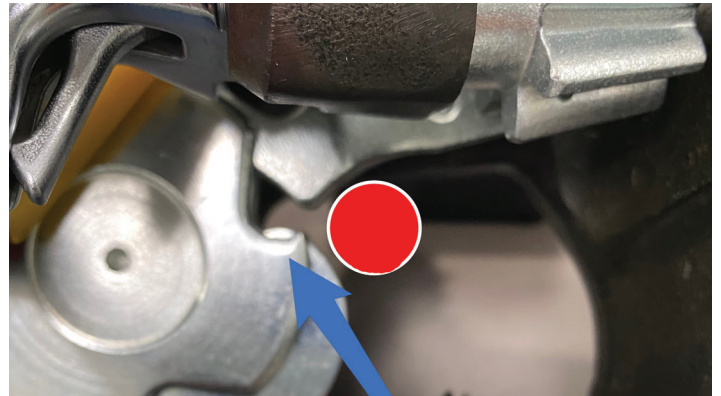
3. Cycle the knotter and recheck the knife arm position.

4. Re-adjust knife arm, if necessary.

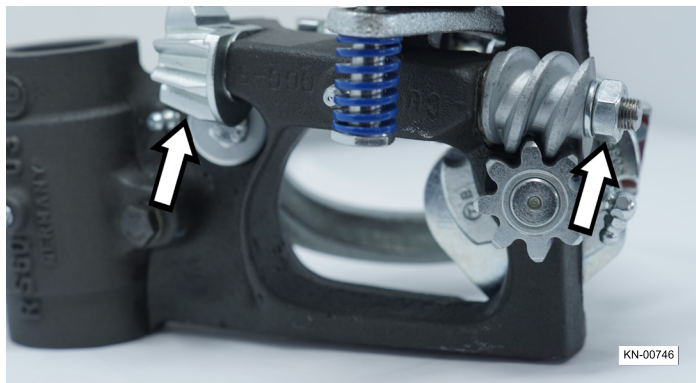
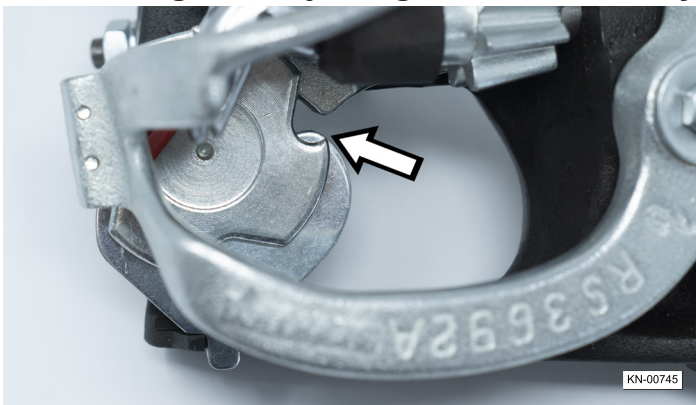
The wiping face of the knife arm must slide smoothly over bill hook with slight contact to strip the knot off of the bill hook.

NOTE: There should not be a gap between the bill hook and the wiping face of the knife arm.

If over time, there becomes a gap, use a mallet and tap the arm inward until it rubs against the billhook.



10.3 Testing and Adjusting Knotter Assembly

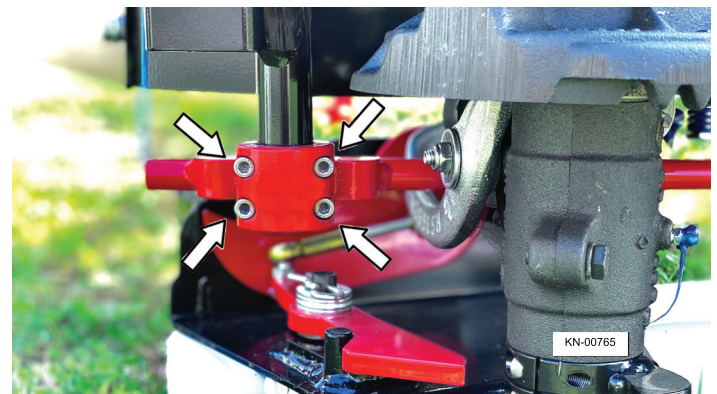


To test or adjust the knotter, remove the knotter drive chain and turn the knotter by hand. This shows each part working and allows any necessary adjustments.

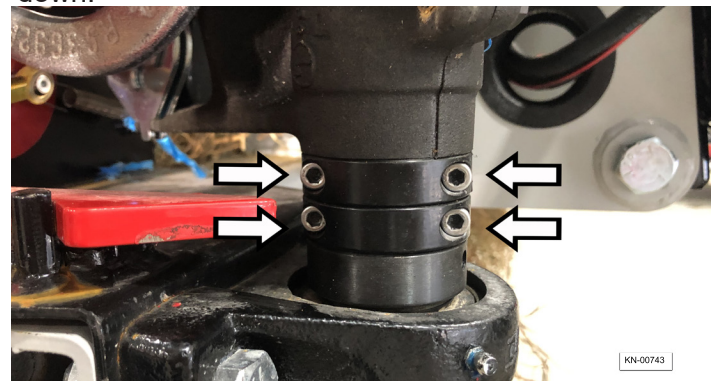
PINCH POINT

Keep hands and fingers away from rotating and/or mating parts to prevent injury.

1. These two illustrations show the twine coming into the knotter, the standing end (1a) of the twine being held by the knotter, and the working end (1b) of the twine going around the bales and being lead back into the knotter by the needle.



2. When the tucker finger (2) is in the down position, as shown, the bill hook (3) should also be pointed down.

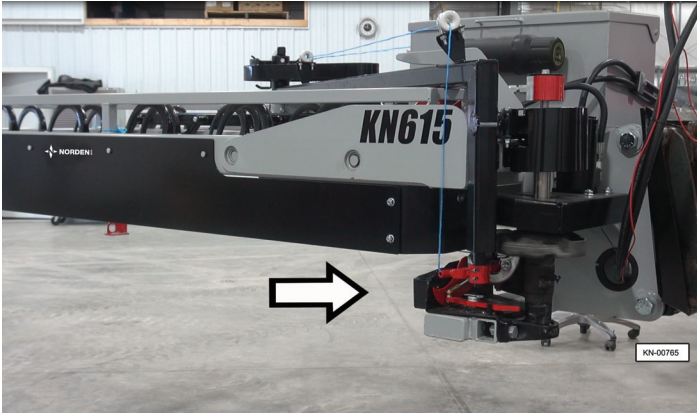


3. As the knotter cycles, the cam (3) rotates and contacts the rocker arm (4) causing the tucker finger (2) to push the twine into the knotter.

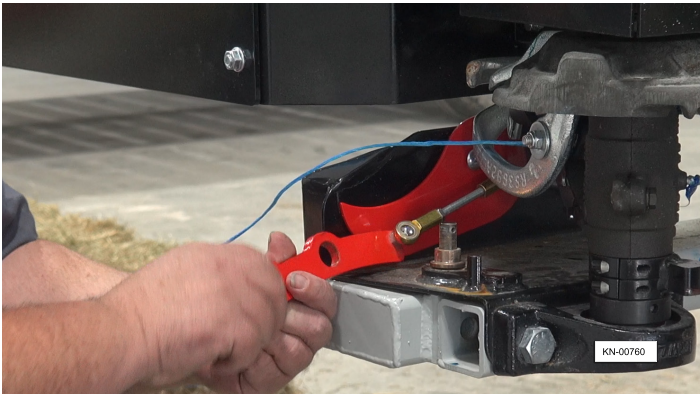
4. If the tucker finger (2) does not push the twine far enough into the knotter, the bill hook finger (5) will not

properly catch the twine (1) and the knot may or may not tie correctly.

NOTE: The needle is not shown in these illustrations to clearly show the position of the twine in the knotter.



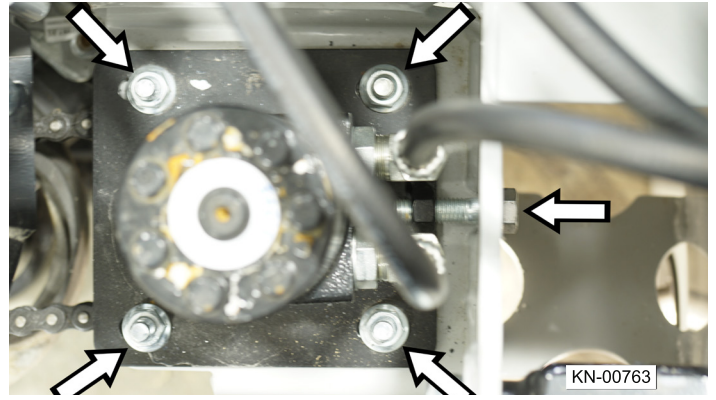
5. The tucker finger (2) holds twine (1) as the bill hook (5) rotates upward. If the bill hook does not catch both



strands of twine, the tucker finger may need to be adjusted inward.

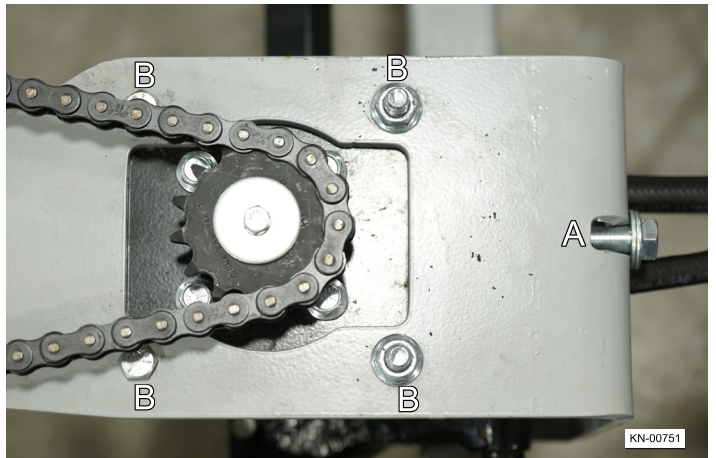
6. The bill hook continues to rotate. The bill hook has made a half revolution. At this point, the rocker arm cam is about to release the rocker arm and allow the tucker finger to return to its resting position. If the tucker finger spring (6) is broken, stretched, or missing the knotter will not function properly.

7. The bill hook has a complete revolution. As the tucker finger spring (6) pulls the tucker finger downward, the knife arm slides the knot off the bill hook and the knot is tied.



The tucker finger and the needle can come into contact with each other resulting in damage, if the timing of these moving parts is incorrect.

NOTE: To make these adjustments, the knotter needs



to be in the reset position.

10.4 Twine Disc Assembly

The twine disc assembly holds the standing end of the twine in place until the needle brings the working end of the twine into the knotter. Should the twine disc come out of adjustment (not in the position shown when knotter is in resting position) you can make adjustments as shown below.



1. Loosen the nut until there is a 1/32 inch gap between the nut and the worm gear.

NOTICE

2. Lightly tap the threaded shaft to loosen the worm gear.
3. Rotate the twine disc assembly until the twine disc hook is in the original position. Refer to the first photo of the twine disc assembly.
4. Tighten nut to 18.5 ft. lbs. (25 N m).
5. Cycle the knotter and re-check the position of the discs.

5. Needle Position Within the Knotter

When properly set, the outside of the needle should be 1/8 inch from the face of the twine holder.

To set the needle loosen the 4 bolts in the needle collar until the needle can move freely. Position the needle in the proper place. Tighten the 4 collar bolts in an X pattern in order to keep the needle in line. When tight recheck the alignment of the needle.

10.5 Cam Timing Mark

The rocker arm cam can move out of alignment over time through use. Should this happen, loosen the bolts in the cam collar.

Move the collar around the shaft until the timing mark on the cam's collar lines up with the split in the knotter frame casting. Once the cam is adjusted correctly, retighten bolts in the collar.

10.6 Tucker Finger

The purpose of the tucker finger is to push the twine to the back of the twine slot in the knotter pocket. If the tucker finger does not extend far enough, shorten the linkage (turn clockwise).

Remove the hairpin clip and washers. Remove the rocker arm from pivot shaft. Rotate the rocker arm

clockwise to shorten the shaft or counterclockwise to lengthen the shaft.

NOTE: Only rotate the rocker arm one revolution at a time.

Reinstall the rocker arm on to shaft. Reinstall the washers and the hair pin clip. Cycle the knotter and make more adjustments as necessary.

10.7 Knotter Drive Chain

Periodically check the chain that operates the knotter. There should be approximately 1/8 inch to 1/4 inch of play in the chain.

To adjust the tension on the chain, loosen four bolts and adjust bolt to achieve the proper chain tension.

10.8 Twine Arm Drive Chain

Periodically check the chain that operates the twine arm. There should be approximately 1/8 inch to 1/4 inch of play in the chain.

Before checking the chain, remove the chain shield. To adjust the tension on the chain, loosen four bolts (B) and adjust bolt to achieve the proper chain tension.

10.9 Twine Tensioner

1. The twine tension can be increased or decreased using bolts to vary the spring pressure on spring plate. The springs should be compressed to approximately 1-1/4 inch.

11. Maintenance

11.1 Maintenance Safety

Failure to comply with the following safety instructions can and will result in serious injury and possibly even death.

Crush Hazard

NEVER WORK UNDERNEATH the Tie Grabber. Always set the Tie Grabber on safety stands or on the ground with the jackstand in the weight bearing position.

High-Pressure Fluid Hazard

DO NOT use your bare hand to check for potential leaks. Always use a board or cardboard when checking for a leak.

Escaping hydraulic fluid under pressure, even a pinhole size leak, can penetrate body tissue, causing serious injury and possible death. If fluid is injected into your skin, it must be treated immediately by a doctor familiar with this type of injury.

Keep all hydraulic lines, fittings, and couplers tightly secured and free of leaks.

Damaged Parts Hazard

Do not use the Tie Grabber if any parts are damaged. If the Tie Grabber is believed to have a defect which could cause it to work improperly, immediately stop using it and remedy the problem before continuing.

Personal Protective Equipment

Wear close fitting and belted clothing to avoid getting caught in moving parts. Wear personal

**SAFETY
INSTRUCTIONS**

protective equipment (PPE), which may include hard hat, safety glasses, safety shoes, gloves, etc. appropriate for the work site and working conditions.

Disconnect Hydraulics

To prevent injury due to possible unexpected movement, disconnect the hydraulics from the machine before performing any maintenance procedure.



No Unauthorized Modifications

Do not modify the Tie Grabber or safety devices. Unauthorized modifications may impair the unit's function, or create safety hazards, and will void the unit's warranty.

Only perform welding repairs to the Tie Grabber and

its components, after contacting Norden Mfg LLC for guidance and approval.

If the Tie Grabber has been altered in any way from the original design, the manufacturer does not accept any liability for injury or warranty.

Repair welding must be done with care and with procedures that may be beyond the capabilities of the ordinary welder.

Any approved welding repair should be performed by a welder who is certified in accordance with the American Welding Society (AWS) Standards and all guidance given by Norden Mfg LLC should be followed.

Good Working Condition

Keep all parts in good condition and properly installed. Fix damage immediately. Replace worn or broken parts.

Replacement Parts

If replacement parts are necessary, genuine factory replacement parts must be used to restore the unit to its original specifications.

The manufacturer will not accept responsibility for damage as a result of the use of unapproved parts.

Safety Shields and Devices



When completing a maintenance or service function, make sure all safety shield and devices are installed before placing the Tie Grabber back in service.

Trapped Air Hazard

When installing, replacing, or repairing hydraulic system cylinders or parts, make sure that the entire system is charged and free of air before resuming operations. Failure to bleed the system of all air can result in improper machine operation, causing severe injury.

Zero Pressure

Relieve pressure from the hydraulic system before serving or disconnecting from the machine.

Personal Injury Hazard

Repairs or modifications to the Tie Grabber can result in serious injury or death, should these repairs fail.

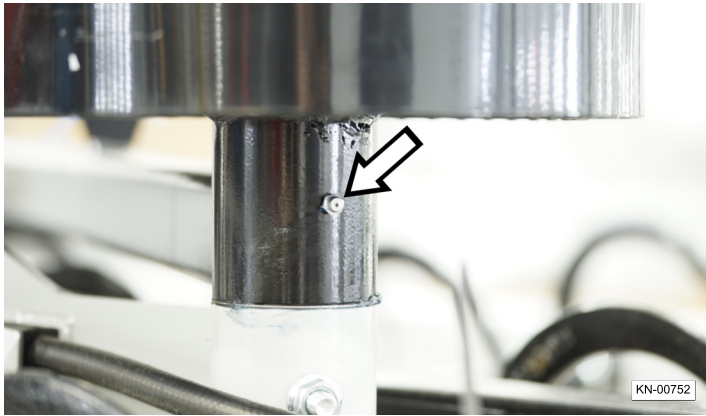
Explosive Separation Hazard

Replace any worn, cut, abraded, flattened, or crimped hoses.

High- Pressure Hazard

Do not make any temporary repairs to the hydraulic lines, fittings, or hoses using tape, clamps, or cement. The hydraulic system operates under extremely high pressure and temporary repairs may fail suddenly and create a hazardous and/or dangerous situation.

The following safety instructions are provided to help



prevent injury or limit equipment damage.

Safety Equipment

A fire extinguisher and first air kit should be readily accessible while performing



maintenance on this unit.

Clean Work Area

Do not leave tools lying around the work area. Follow good shop practices. Keep service area clean and dry. Be sure electrical outlets and tools are properly grounded. Use adequate light.

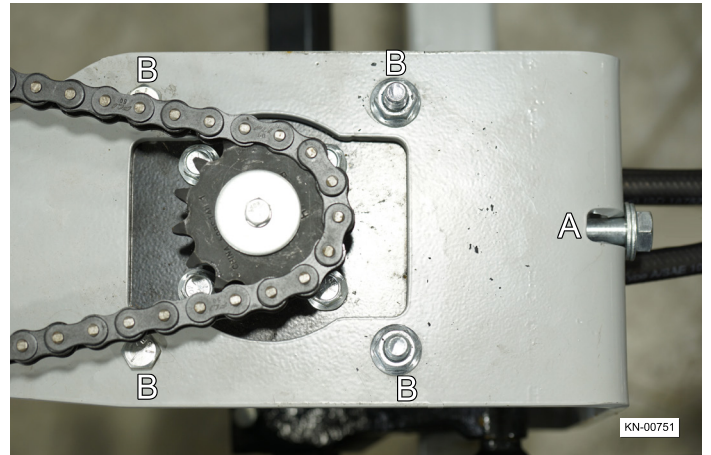
Use the Right Tools

Use the correct tools, jacks, hoists, or other tools that have capacity for the job.

NOTE: After working on the Hydraulic system cycle the unit two or three times to bleed the system and let any air out of the lines.

11.2 General Information

Preventive maintenance is one of the most cost-



effective practices that any equipment owner can implement. Taking a few minutes of your time to inspect the Tie Grabber can save hundreds or even thousands of dollars. These savings can come from:

1. Increased operating time (no unscheduled breakdowns in the field).
2. Normal wear items will last longer because they have been properly maintained and lubricated.
3. Less chance of someone becoming injured due to parts that fail because of mistreatment or abuse.

Preventive maintenance should only be completed by qualified persons. In no way are these instructions intended to encourage service of the unit by anyone who is not qualified to do so. The overall performance of the unit is directly related to the skill and knowledge of the person performing the service. If the mechanic cannot see potential problems, or is unaware of the signs of potential problems, the service may be a costly waste of time.

Before working on the unit, fully disconnect the unit from the machine. Never replace hex bolts with less than Grade 5 bolts. After servicing, be sure all tools, parts, and service equipment are removed. Where replacement parts are necessary for periodic maintenance and servicing, genuine factory replacement parts must be used to restore your equipment to original specifications. The manufacturer will not accept responsibility for damage or injury as a result of the use of non-OEM parts or accessories.

If the unit has been altered in any way from the manufacturer's original design, the manufacturer does not accept any liability for injury, warranty, or machine damage.

11.3 Greasing

Use an SAE multipurpose high temperature lithium grease with extreme pressure (EP) performance or an SAE multipurpose lithium based grease.

Wipe grease zerks with a clean cloth before greasing to avoid injecting dirt and grit into the joint.

Apply grease until new grease can be seen coming out of the joint.

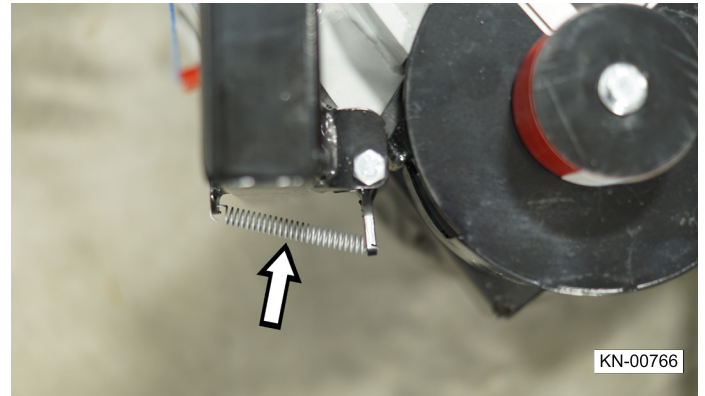
Do not let excess grease collect on or around parts, particularly when operating in sandy areas.

Replace and repair broken grease zerks immediately.

If any grease zerk will not take grease, remove and

thoroughly. Also clean the lubricant passageway. Replace the zerk if necessary.

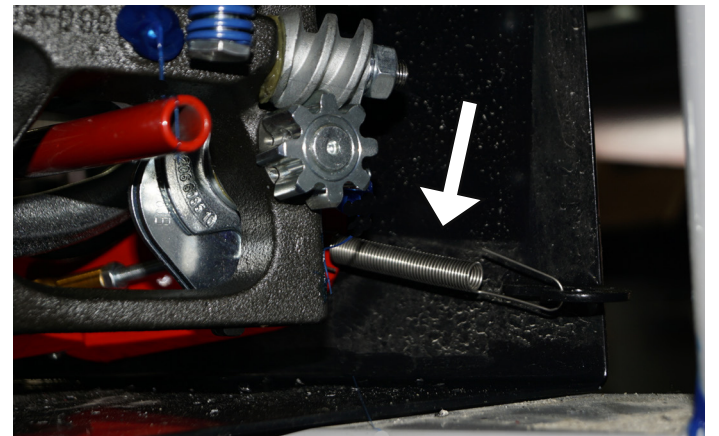
Grease all zerks according to maintenance service section found on page 33.



11.4 Twine Arm

Grease the zerk found on the twine arm collar. This is very important to keep greased.

11.5 Squeeze Arm



Grease the three zerks found in the following places: squeeze arm frame mount, the squeeze arm cylinder pivot point, and the squeeze cylinder mount pivot point.

11.6 Knotter

Remove old grease, dirt, twine debris, chaff etc. before applying new grease.

Apply new grease to the six knotter grease zerks.

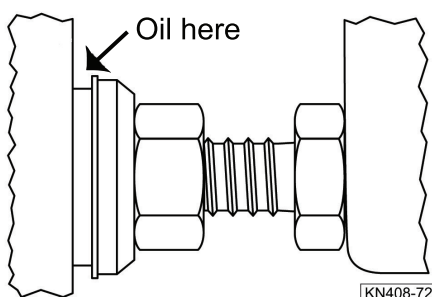
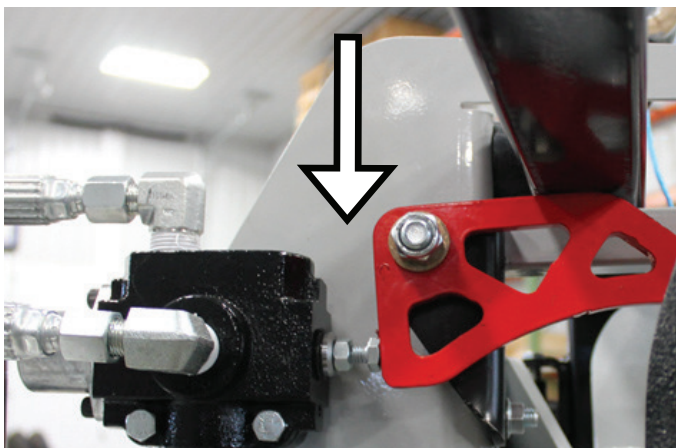
Remove any excess grease with a rag so that it will not collect chaff or twine, causing the knotter to jam.

11.7 Chain Lubrication

Lubricate the chains with a light chain oil.

Cycle the chains.

Reapply oil as needed.



clean it

chain after lubricating.

11.8 Hydraulic Hoses

When replacing hydraulic hoses follow the safety instructions found on pages 6, 7 and 8.

Hydraulic hoses should be replaced when:

The hoses are cracked.

The hoses are frayed.

A hose has a leak of any size.

A hose has been smashed, slashed, crushed, crimped, or damaged in anyway.

If there are hoses that are in need of replacement, using gloves and the proper wrench remove one hose at a time making note as to where it was connected to the manifold. Most of the hoses have a Female JIC Flare Swivel End (6G-6FJX) and can be made locally, order from a dealer, or from Norden Mfg. LLC. Once a replacement hose has been obtained it can be reconnected to the port noted before.

Make sure when tightening the hydraulic hoses not to cross thread the fittings (if cross threading occurs it will damage the threads and cause leaks).

Make sure components in the hydraulic system are kept clean and in good working condition.

The most common reason for hydraulic component failure is contamination of the oil. Keep all hydraulic access areas completely clean, such as around the hydraulic oil filler cap, filter, and connection points. Replace any fittings, hoses, or other components where leakage is observed. Clean up any spilled hydraulic oil.

Bolt Torque Requirements Chart

Bolt Diameter	English Bolt Torque Specifications			
	Grade 5		Grade 8	
	3 Radial Lines Grade 5		6 Radial Lines Grade 8	
	ft. lbs.	N-m	ft. lbs.	N-m
1/4"	9	12	12	17
5/16"	19	25	27	36
3/8"	33	45	45	63
7/16"	53	72	75	100
1/2"	80	110	115	155
9/16"	115	155	165	220
5/8"	158	215	220	305
3/4"	290	390	398	540
7/8"	420	570	650	880
1"	630	850	970	1320

Valve Torque Requirements

Valve Part Number	Valve Description	Port ID	ft. lbs.	N-m
1009630	Needle Flow control Valve	NV	30	41
1009650	Backflow Control Valve	FC1	40	54
1009640	Free Flow Check Control Valve	FC2	30	41
1009660	Crossover Relief Valve	RV	32	43
1009010	Sequence Valve	SV1	40	54
1009010	Sequence Valve	SV2	40	54
1009670	Check Valve	CV1	40	54
1009670	Check Valve	CV2	40	54
1009620	Solenoid	SV3	90	120
1009620	Solenoid	SV4	90	120

11.9 Flow Control Valve Plunger

The plunger on the flow control valve (shown in the following picture) must be lubricated in accordance with the maintenance service schedule. Lubricate the plunger shaft (shown in the second picture) with a light oil.

11.10 Springs

The tie grabber has four main springs.

The first two are the twine tensioner springs covered on page 36.

The third is the knotter stop spring. It is located on the end of the twine arm, and puts tension on the knotter stop. It should be installed with the opening of the spring hooks facing away from the knotter.

The fourth is the tucker finger spring. It is located in the knotter pocket, hooked between the knotter pocket eyelet and the tucker finger linkage.

12. Maintenance Service Schedule Sheet

12.1 Torque Requirements

Equipment Failure

The proper torque value for bolts and cap screws is identified by their head markings. Replacing a higher grade bolt with a lower grade bolt will lead to equipment failure and could result in injury or death. Always use replacement bolts with the same grade markings as the removed bolt.

It is extremely important to apply and maintain proper torque on all bolts and valves. Use a torque wrench to assure the proper amount of torque is being applied to the fasteners.

Start all bolts, nuts and valves by hand to prevent cross threading.

Torque figures indicated in the following charts are used for non-greased or non-oiled threads unless otherwise specified. Therefore, do not grease or oil bolts or cap screws unless otherwise specified in this manual when using locking elements, increase torque values by 5%.

The charts gives correct torque values for various bolts, cap screws, and valves tighten all bolts to the torque specified in the charts, unless other wise noted. Check the tightness of the bolts periodically, using the bolt torque chart as a guide. Always replace hardware with the same grade bolt.

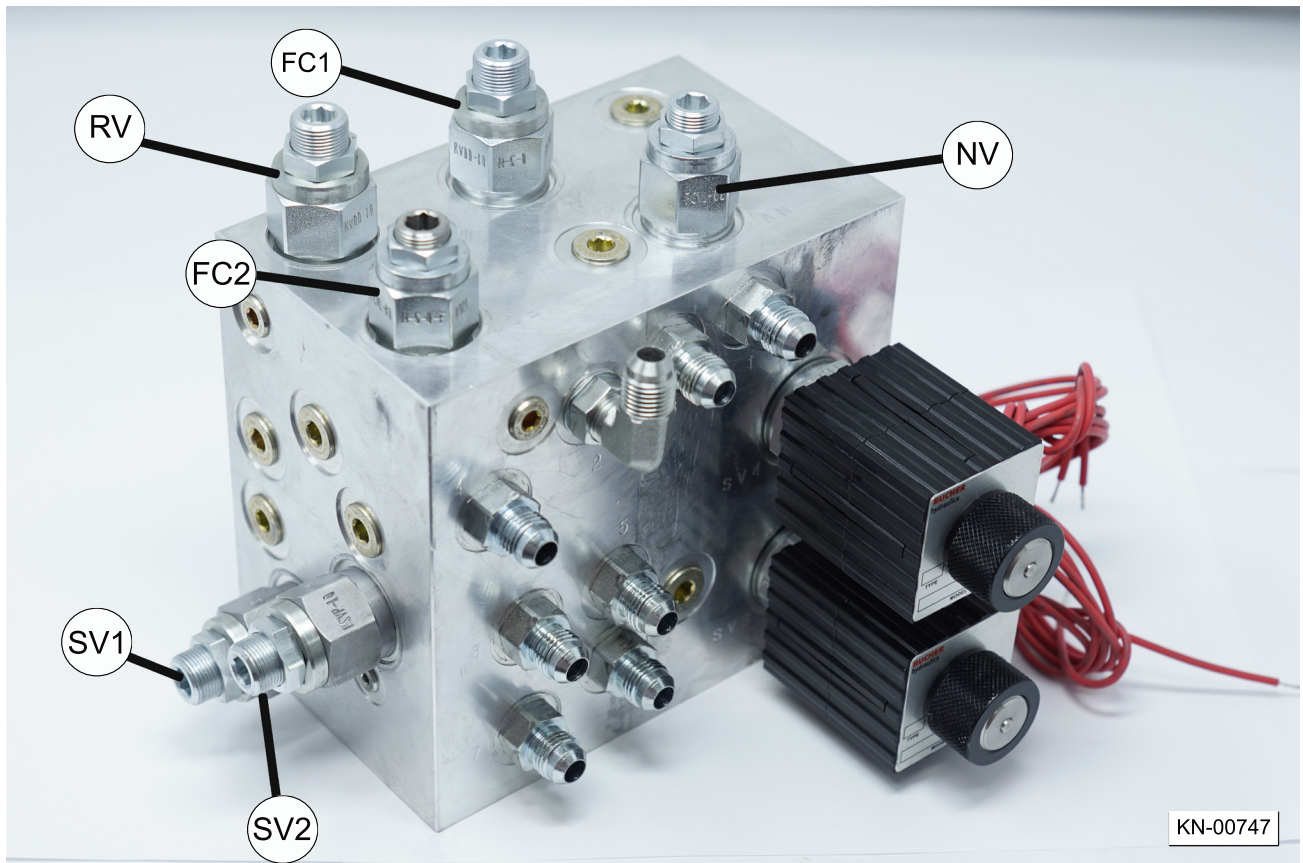
NOTE: The u-bolt used on the twine insulators is not tightened using the torque guide. Instead they are tightened loosely so that the insulators are not cracked.

13. Storage

Not following these safety instructions can result in serious injury and possible death.

Problem	Cause	Solution	Instructions
Hooks are set into the bales before the squeeze arm closes completely	Sequence valve is improperly adjusted	Adjust the SV2 sequence valve	Adjust sequence valve in a CW direction. Adjustments should be no more than 1/4 turn at a time. Retest the operation between each adjustment.
			Check for proper adjustment. The initial setting should be 3-3/4 turns from a complete closed position.
			If adjustments do not affect the timing of the hooks to the squeeze arm, replace sequence valve.
Squeeze arm opens before hooks release	Sequence valve is improperly adjusted	Adjust the SV1 sequence valve	Adjust sequence valve in a CCW direction. Adjustments should be no more than 1/4 turn at a time. Retest the operation between each adjustment.
			Check for proper adjustment. The initial setting should be 3-3/4 turns from a complete closed position.
Twine arm does not feed into the knotter and start knotter cycle	Valve is improperly adjusted	Adjust the RV valve	Adjusting the valve in a clock wise direction will slow down or stop the twine arm moving into the knotter. Adjusting the valve in a counter clock wise will speed up the movement of the twine arm into the knotter. Only adjust the valve 1/4 turn at a time. Test the speed between each adjustment.
Twine arm does not return or slowly returns to the retracted position.	Valve is improperly adjusted	Adjust the FC2 valve	Adjusting the valve in a counter clock wise direction will speed up the movement of the twine arm away from the knotter.
Twine arm returns to fast to retracted position.	Valve is improperly adjusted	Adjust the FC2 valve	Adjusting the valve in a counter clock wise will slow down or stop the twine arm moving away from the knotter. Only adjust the valve 1/4 turn at a time. Test the speed between each adjustment. NOTE: Adjusting the valve in the counter clockwise direction more than a quarter turn at a time can result in the arm moving very quickly.

Problem	Cause	Solution	Instructions
Twine arm makes a loud metallic sound when it contacts the stop	Twine arm bumper stop is missing	Replace the bumper	Place the replacement bumper on to the 1/4 bolt insert the bolt into the bumper mount hole
Twine end won't stay in the knotter	First: The needle is not set correctly in relationship to the twine holder	Reposition the needle	Follow the instructions in the "Needle Position Within the Knotter" section on page 29 - Needle Position Setting.
	Second: Twine disk are out of alignment	Adjust the twine disk alignment	Follow the instructions in the "Twine Disk Assembly" section on page 31.
	Third: Twine disks are jammed	Remove the twine fragments from the twine disks	
Twine ends of knot frayed or uneven	Knife blade is damaged or missing	Replace the knife blade	Remove the damaged or broken knife blade. Attach the new knife blade.

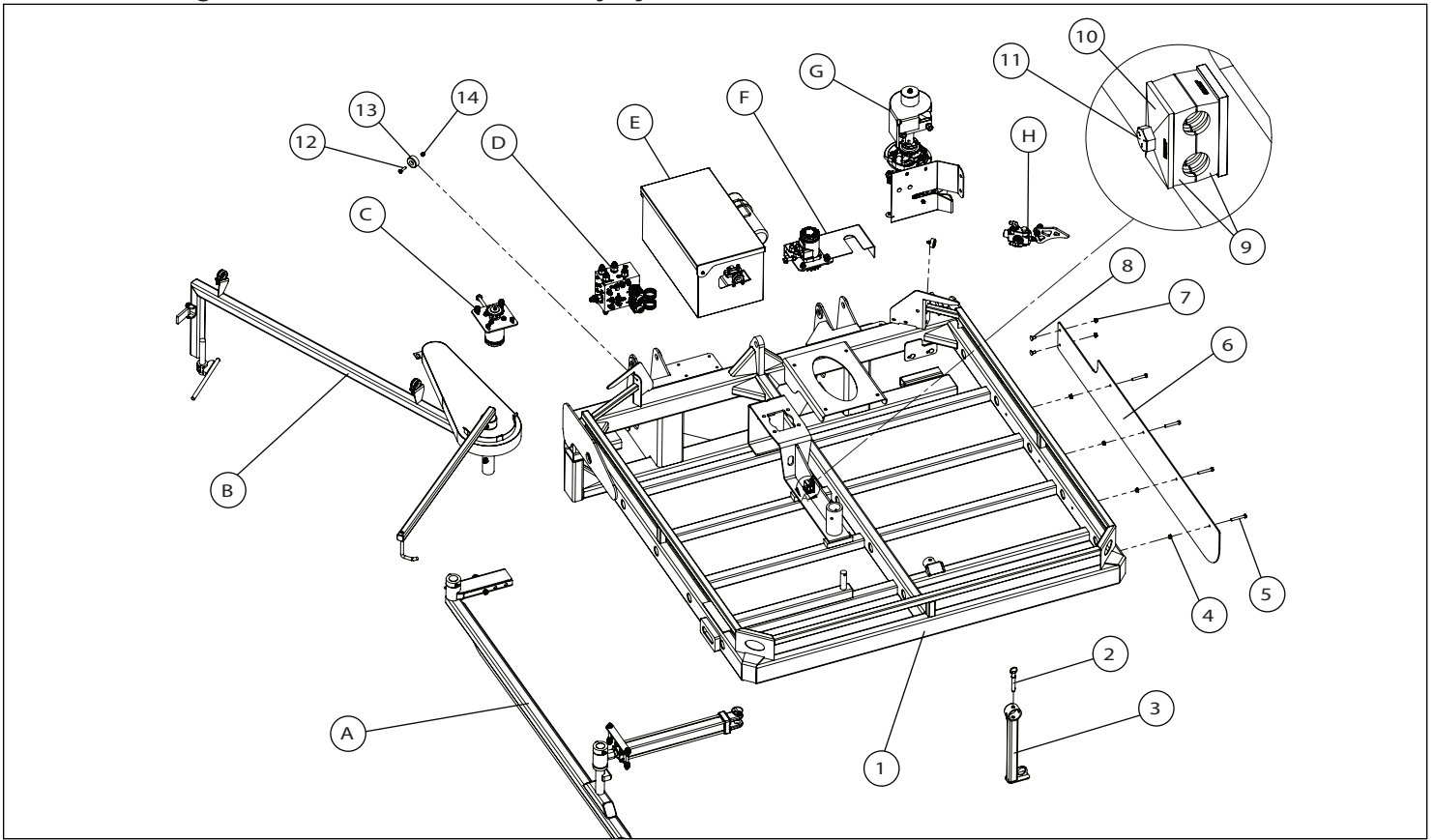


Problem	Cause	Solution	Instructions
Twine is frayed	Twine is being cut by a sharp edge	Trace the twine path and remove any sharp edges or burrs. Check the tip of the needle for any sharp edges or burrs.	Starting at the knotter follow the twine back along its path to the twine box looking for anything that the twine could catch on such as burrs, sharp edges, or cracks. If you should find any of these, they will need to be fixed or replaced.
Knotter does not rotate or turns too slowly to properly tie the knot	First: Red actuator arm is in the up position	Reset the Red Actuator Arm	Swing the red actuator arm on its pivot bolt so that it is resting on the Flow control Valve Plunger
	Second: Plunger valve is sticking	Oil the plunger valve shaft	Using WD-40 lubricate the plunger valve shaft. Depress the valve a couple of times to work the oil into the shaft.
	Third: Valve is improperly adjusted	Adjust the NV valve	Adjusting the valve in a counter clock wise direction will speed up the knotter rotation. Adjusting the valve in a clock wise will slow down or stop the knotter rotation. Only adjust the valve 1/4 turn at a time. Test the speed between each adjustment. Refer to 8.4 on page 24.
One end of the twine has a knot and the other end has no knot	First: Twine is not being held properly with the tucker finger (not extending far enough onto the bill hook)	First: Check the tucker finger spring	Using the “Springs” section on page 35 check that the tucker finger spring is unbroken and in place. If it is missing or damaged replace it.
		Second: Check the timing on the cam	Follow the instructions in the “Cam Timing Mark” section on page 28.
		Third: Adjust the tucker finger linkage	Follow the instructions in the “Tucker Finger” section found on page 29.
	Second: Twine disk are out of alignment	Adjust the twine disk alignment	Follow the instructions in the “Twine Disk Assembly” section 9.11 on page 31.
	Third: Twine disks are jammed	Remove the twine from the twine disks	
Twine is breaking	Twine Tension is to high	Adjust the twine tensioner springs	Follow the instructions in the “Twine Tensioner” section 9.10 on page 30.

Do not permit anyone, especially children to play on or around the stored unit. exposed to livestock. Exposure to livestock could result in damage to the unit and livestock injury or



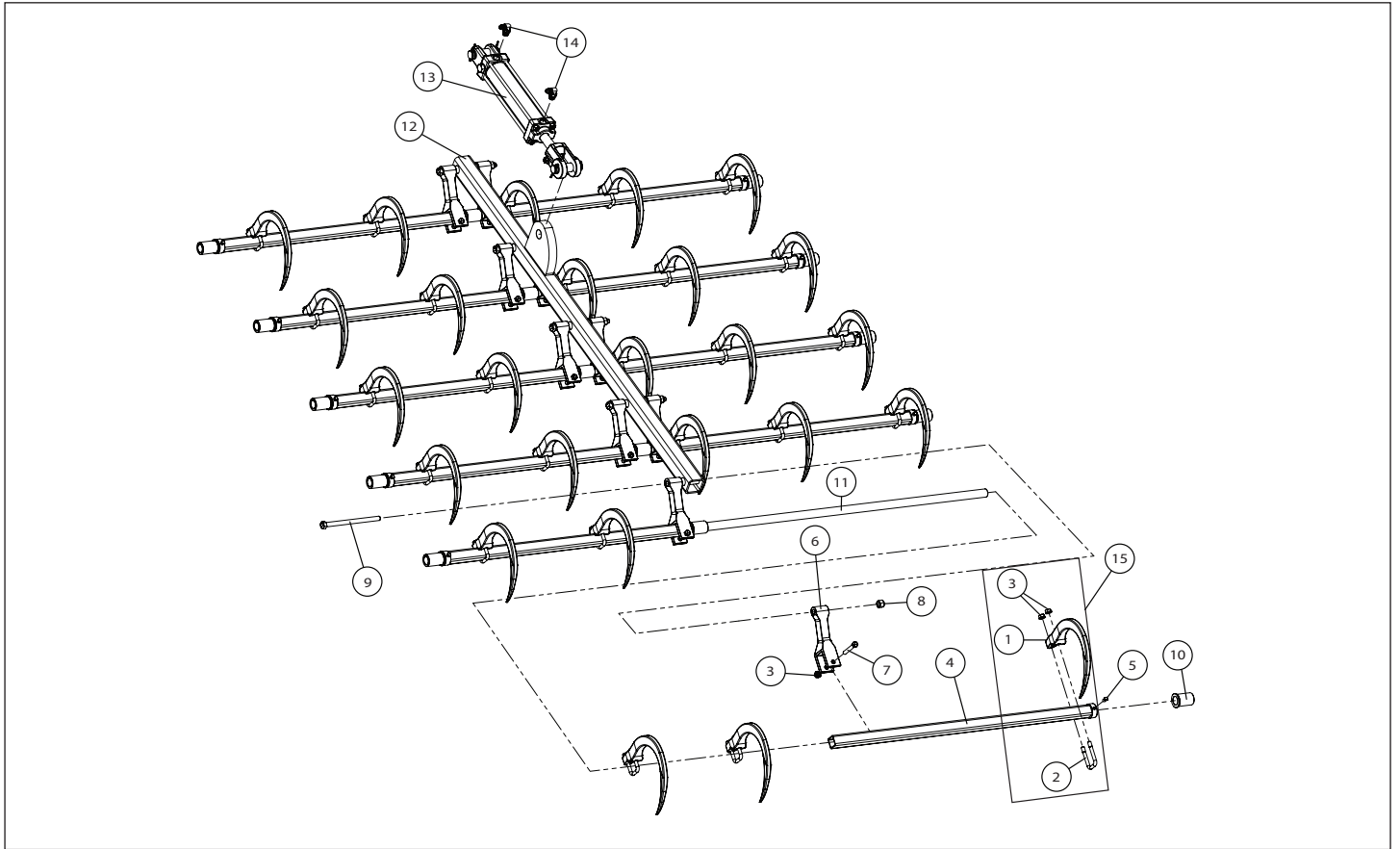
Do not store the unit where it will be death.



Item	Description	Section
A	Squeeze Arm Assembly	15.3
B	Twine Arm Stack	15.4
C	Twine Arm Motor Group	15.5
D	Manifold Assembly	15.6
E	Twine Box Assembly	15.7
F	Knotter Motor Group	15.10
G	Knotter Main Assembly	15.9
H	Plunger Valve Assembly	15.8

Item	Part Number	Description	Qty.
1		Tie-Grabber Frame	1
2	1005690	Jack Pin - 9/16"	1
3	1000370	Grabber Stand, Long	1
4	1006190	3/8" Serrated Flange Nut	3-5
5	1006860	3/8" x 2.5" Bolt Grade 5	3-5
6	1010500	Side Plate, KN408F	1
	1010511	Side Plate, KN510	
	1010521	Side Plate, KN510F	
	1010531	Side Plate, KN615	
7	1006190	3/8" Serrated Flange Nut	2
8	1006300	3/8" x 3/4" Carriage Bolt Grade 5	2
9	1008800	3/8" Hose Clamp Body	4
10	1008810	3/8" Hose Clamp Cover Plate	2
11	1008790	5/16" x 1 3/8" Hex Bolt Grade 5	2
12	1007620	1/4" x 1" Bolt Grade 5	2
13	1003560	Rubber Bumper	2
14	1006070	1/4" Nylock Nut	2

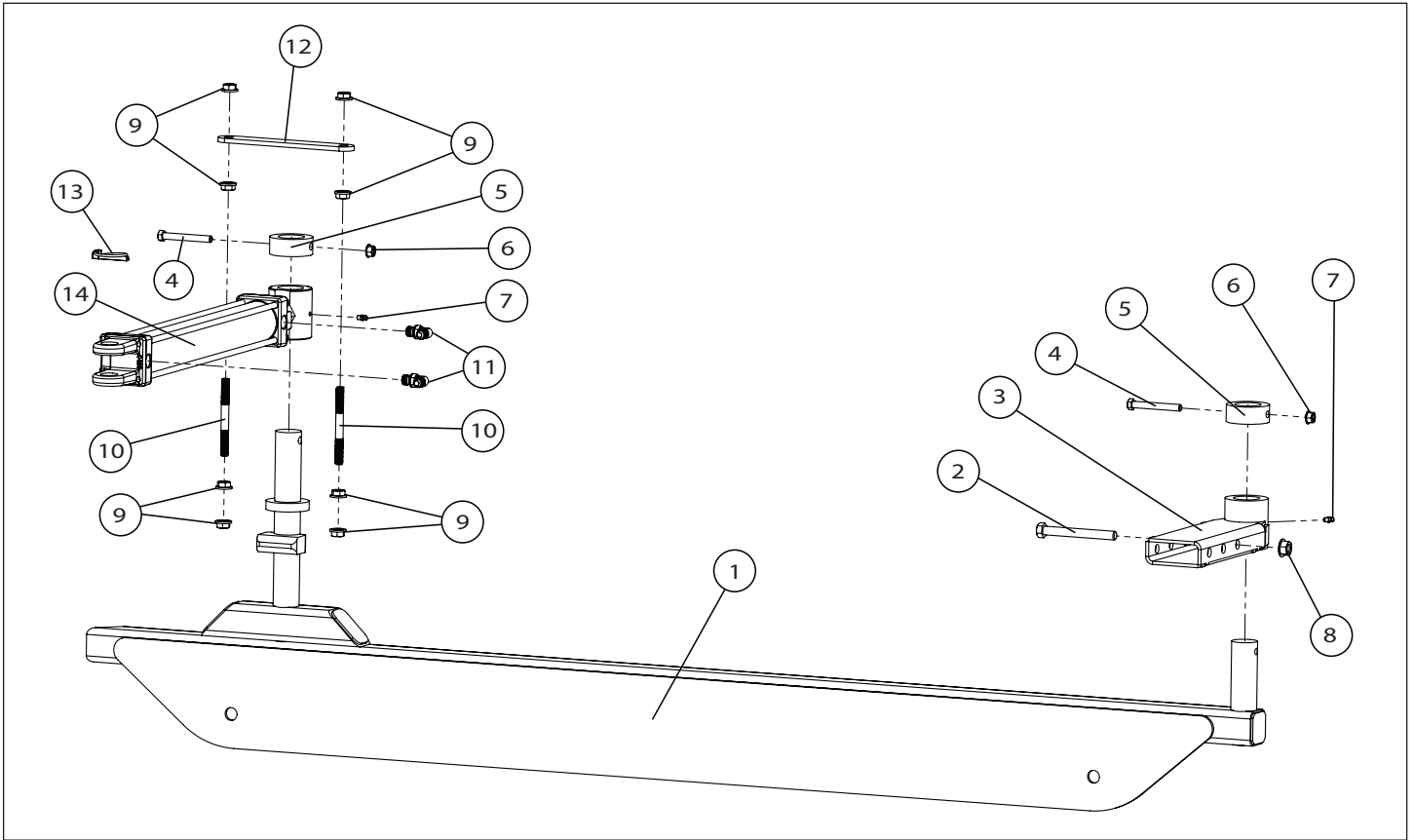
15.2 HOOKS



Item	Part Number	Description	Qty.
1	1005721	Bale Hook	16-36
2	1006881	Grabber Hook U-bolt	16-36
3	1006190	3/8" Serrated Flange Nut	40-84
4	1005450	Grabber Hook Tube, 31.5"	4-12
	1005460	Grabber Hook Tube, 33.5"	
	1005470	Grabber Hook Tube, 41"	
5	1006870	Square Head Set Bolt, 5/16"-18 X 1/2"	8-12
6	1005710	Actuator Arm	8-12
7	1006860	3-8 16 x 2.5 Hex Bolt Grade 5	8-12
8	1006110	1-2 13 Nylock Nut Grade 5	4-6
9	1006270	1-2 13 x 7 Hex Bolt Grade 5	4-6
10	1005700	UHMW Bushing	12-18

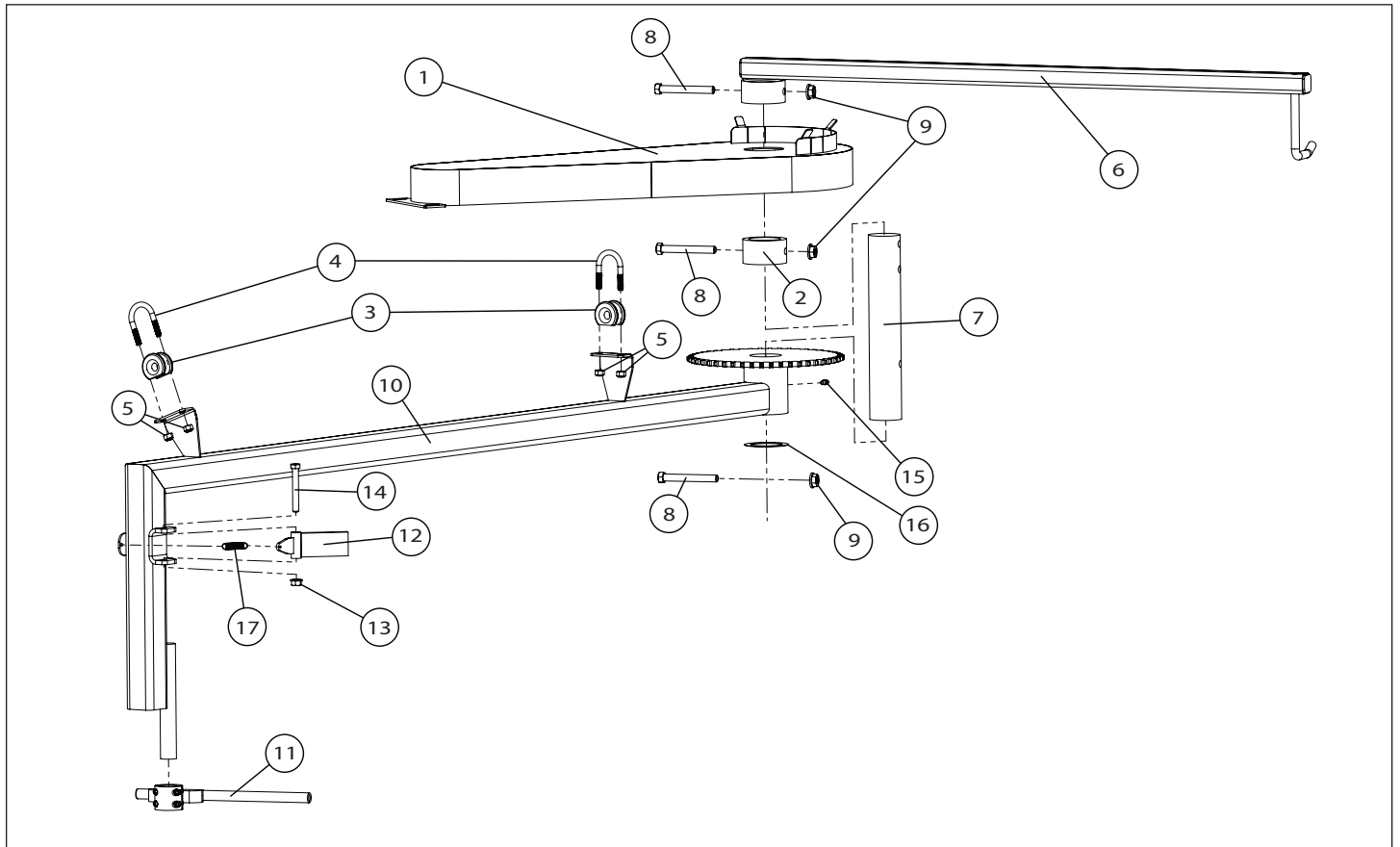
Item	Part Number	Description	Qty.
11	1005430	Grabber shaft, 71.75"	4-6
	1005440	Grabber shaft, 88 7/8"	
12	1005340	408F Center Bar	1
	1005350	510 Center Bar	
	1005360	510F Center Bar	
	1005370	615, 618 Center Bar	
	1005380	615L, 618L Center Bar	
13	1000360	2x8 ASAE Hydraulic Cylinder	1
14	1009690	3/8" 90° Hydraulic Fitting	2
15	1017460	Grabber Hook with U-bolt	16-36

15.3 Squeeze Arm Assembly



Item	Part Number	Description	Qty.
1	1010572	Squeeze Bar, KN408F KN510	1
	1010582	Squeeze Bar, KN510F	
	1010592	Squeeze Bar, KN615 KN618	
	1010602	Squeeze Bar, KN615L KN618L	
2	1006890	1/2" x 4.5" bolt Grade 5	1
3	1010551	Squeeze Bar Bracket, Tie Grabber	1
4	1006840	3/8" x 3" Bolt Grade 5	2
5	1005540	Squeeze Arm Collar	2
6	1006190	3/8" Serrated Flange Nut	2
7	1003730	Self Tapping Grease Zerk, 1/4"	2
8	1006210	1/2" Serrated Flange Nut	1
9	1006200	7/16" Serrated Flange Nut	8
10	1008870	Cylinder Strap Bolt	2
11	1009690	6MJ-6MB90 Adapter	2
12	1008860	Squeeze Arm Guide Plate	1
13	1006850	5/16" Lynchpin	1
14	1006820	2x16 Hydraulic Cylinder	1

15.4 Twine Arm Stack

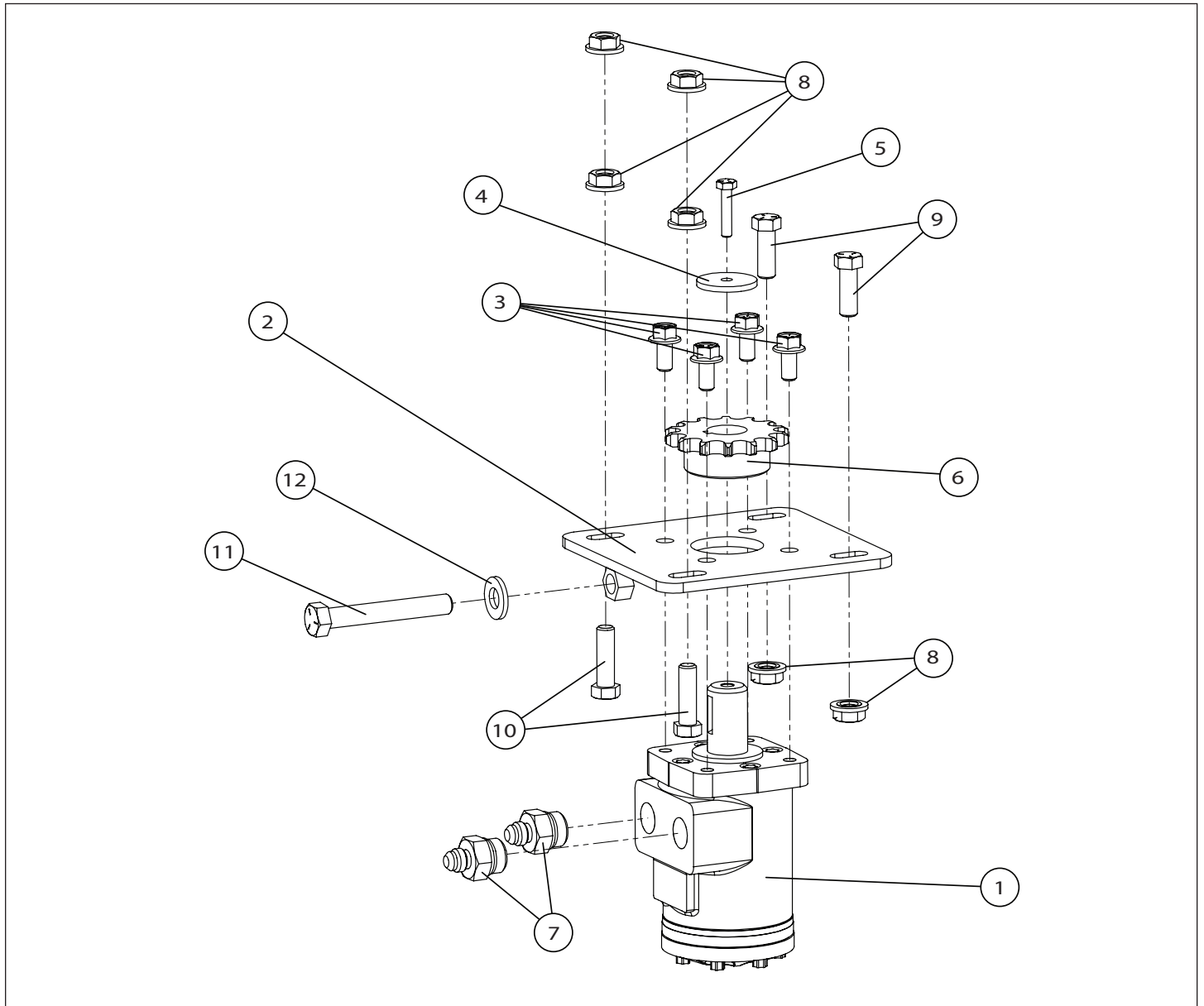


Item	Part Number	Description	Qty.
1	1011680	Twine Arm Chain Shield, 16.5 KN408F, KN612F, KN615, KN615L, KN615F, KN618	1
	1011690	Twine Arm Chain Shield, 19.75 KN618L	
	1011700	Twine Arm Chain Shield, 22.25 KN510, KN510F	
*	1020000	Twine Arm Chain for KN408F, KN612F, KN615, KN615L, KN615F, KN618	1
	1020010	Twine Arm Chain for KN618L	
	1020020	Twine Arm Chain for KN510, KN510F	
2	1010620	Twine Arm Collar	1
3	1008930	Ceramic Insulator	2
4	1009400	U-bolt, 5/16"-18 1-3/8" ID	2
5	1006080	5/16 Nylock Nut	4
6	1012750	Twine Catcher, 38"	1
7	1008780	Twine Arm Shaft	1
8	1007430	7/16" x 3.5" bolt Grade 5	3

Item	Part Number	Description	Qty.
9	1006200	7/16" serrated flange nut	3
10	1008460	Twine Arm, KN408F KN510	1
	1008470	Twine Arm, KN510F	
	1008480	Twine Arm, KN612F KN615	
	1008490	Twine Arm, KN615F KN618	
	1008500	Twine Arm, KN615L	
	1008510	Twine Arm, KN618L	
11	1010491	Twine Arm needle	1
12	1008940	Twine Arm Knotter Stop	1
13	1006190	3/8" serrated flange nut	1
14	1006370	3/8" x 2.75" bolt Grade 5	1
15	1003730	Self Tapping Grease Zerk, 1/4"	1
16	1013800	2.75x2x0.060 Shim	1-2
17	1010940	Knotter Stop Spring	1

* Parts not shown in diagram

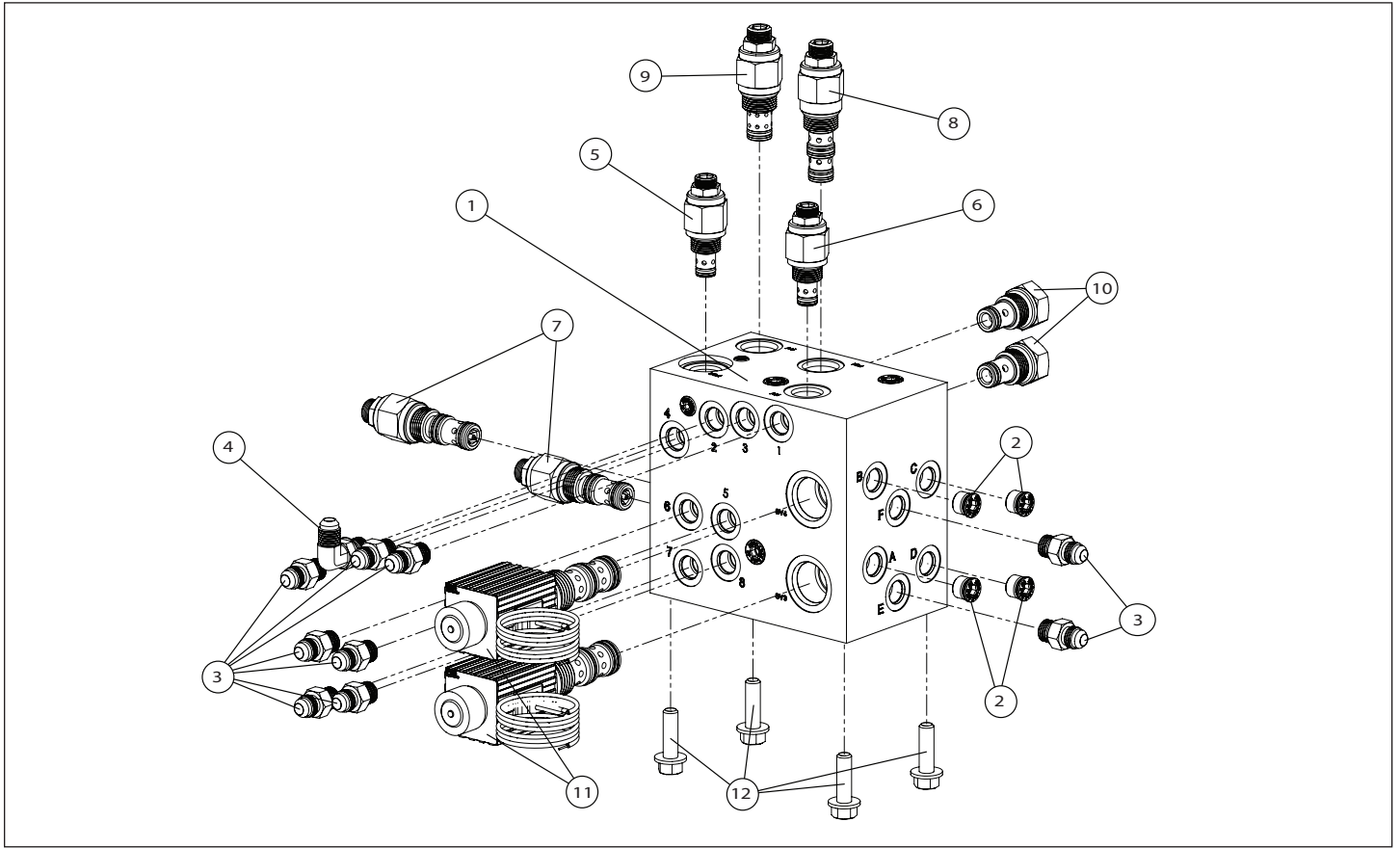
15.5 Twine Arm Motor Group



Item	Part Number	Description	Qty.
1	1016420	Hydraulic Motor	1
2	1010480	Motor Mounting Plate	1
3	1006330	3/8 16 x 0.75 Serrated Flange Bolt	4
4	1010300	1-4" x 1.5" Fender Washer	1
5	1007630	1-4 20 x 1.25 Hex Bolt Grade 5	1
*	1009730	1/4" Split Lock Washer	1
6	1016320	Small Sprocket For HYD Motor	1
7	1016610	6MJ-10MB Straight Adapter	2
8	1006200	7/16"-14 Serrated Flange Nut Grade 5	6
9	1007270	7/16"-14 x 1.25" Hex Bolt Grade 5	2
10	1010310	7/16" x 1.5" Grade 5 Bolt	2
11	1007460	1/2-13" x 3.5 Hex Bolt Grade 5	1
12	1006170	1/2" Washer	1

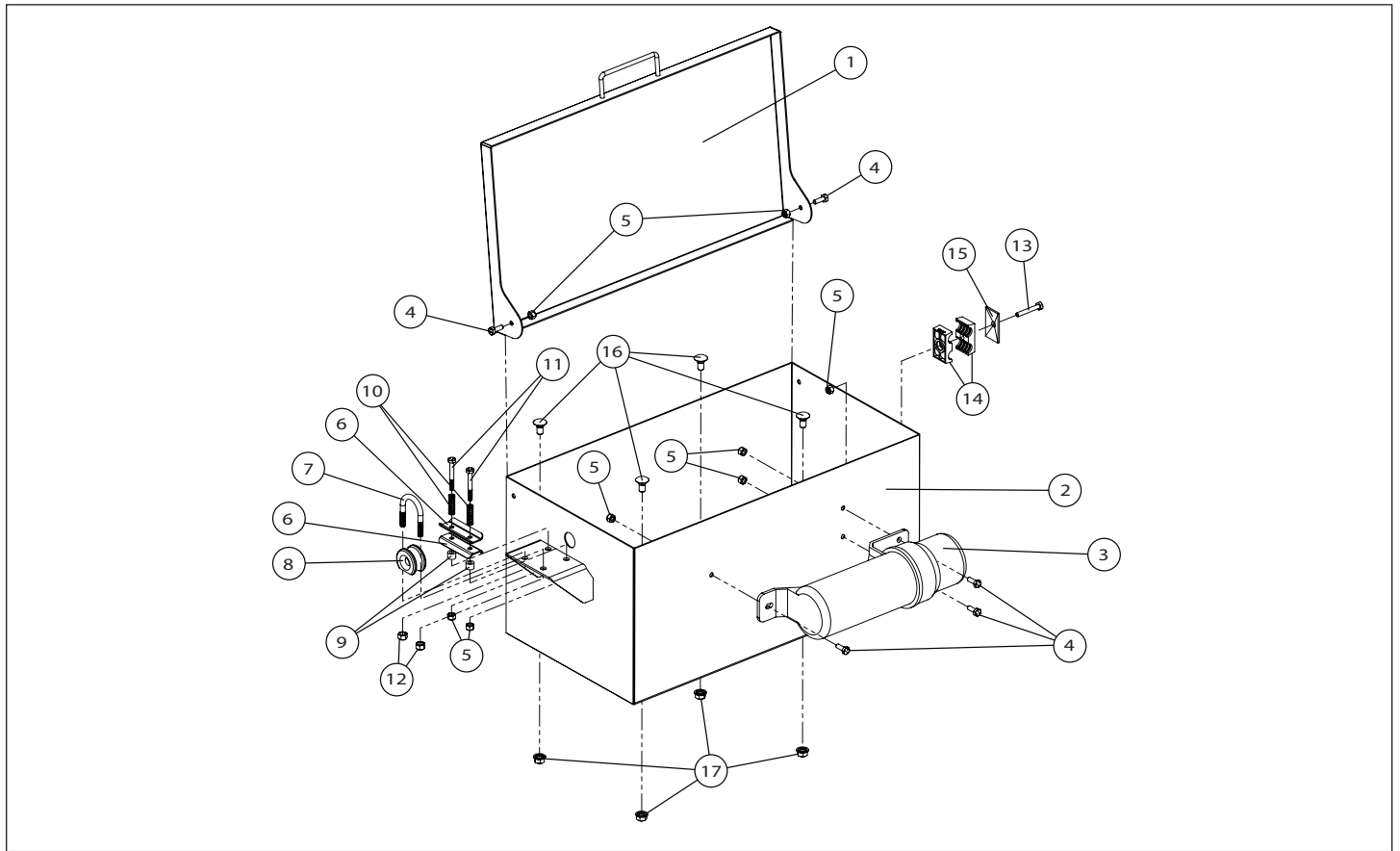
* Parts not shown in diagram

15.6 Manifold Assembly



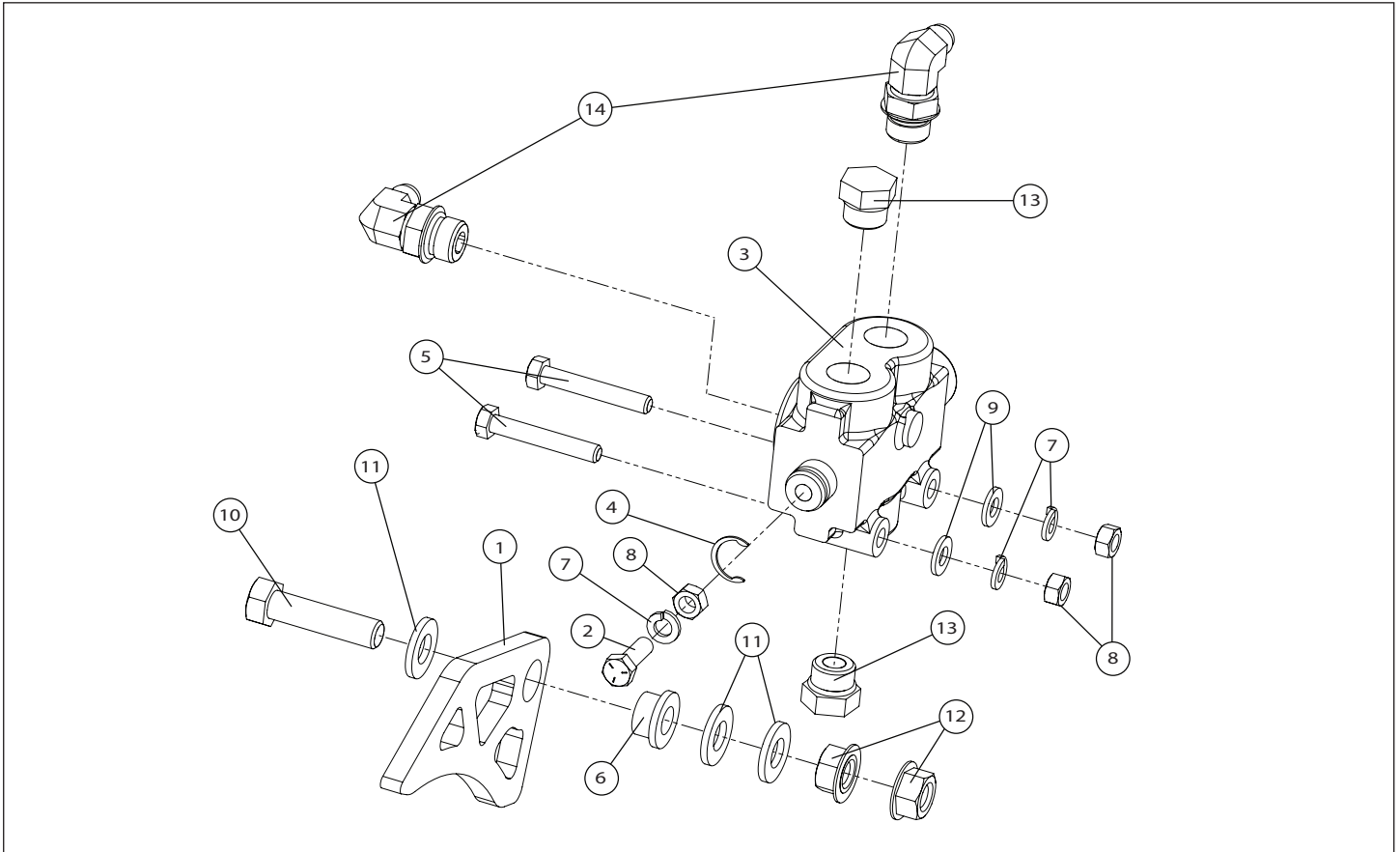
Item	Part Number	Description	Qty.
1	1009610	Tie Grabber Manifold	1
2	1016480	Manifold O6 Plug	4
3	1009680	3/8" Straight Hydraulic Fitting	9
4	1009690	3/8" 90° Hydraulic Fitting	1
5	1009640	Flow Control Valve 3217	1
6	1009630	Flow Control Valve 2617	1
7	1009010	Sequence Valve	2
8	1009650	Back Flow Control Valve BFCV-10	1
9	1009660	Bleed Valve	1
10	1009670	Check Valve CVFB-10	2
11	1009620	Splitter Solenoid	2
12	1007390	3-8 16 x 1.25 Serrated Flange Bolt Grade 5	4

15.7 Twine Box Assembly



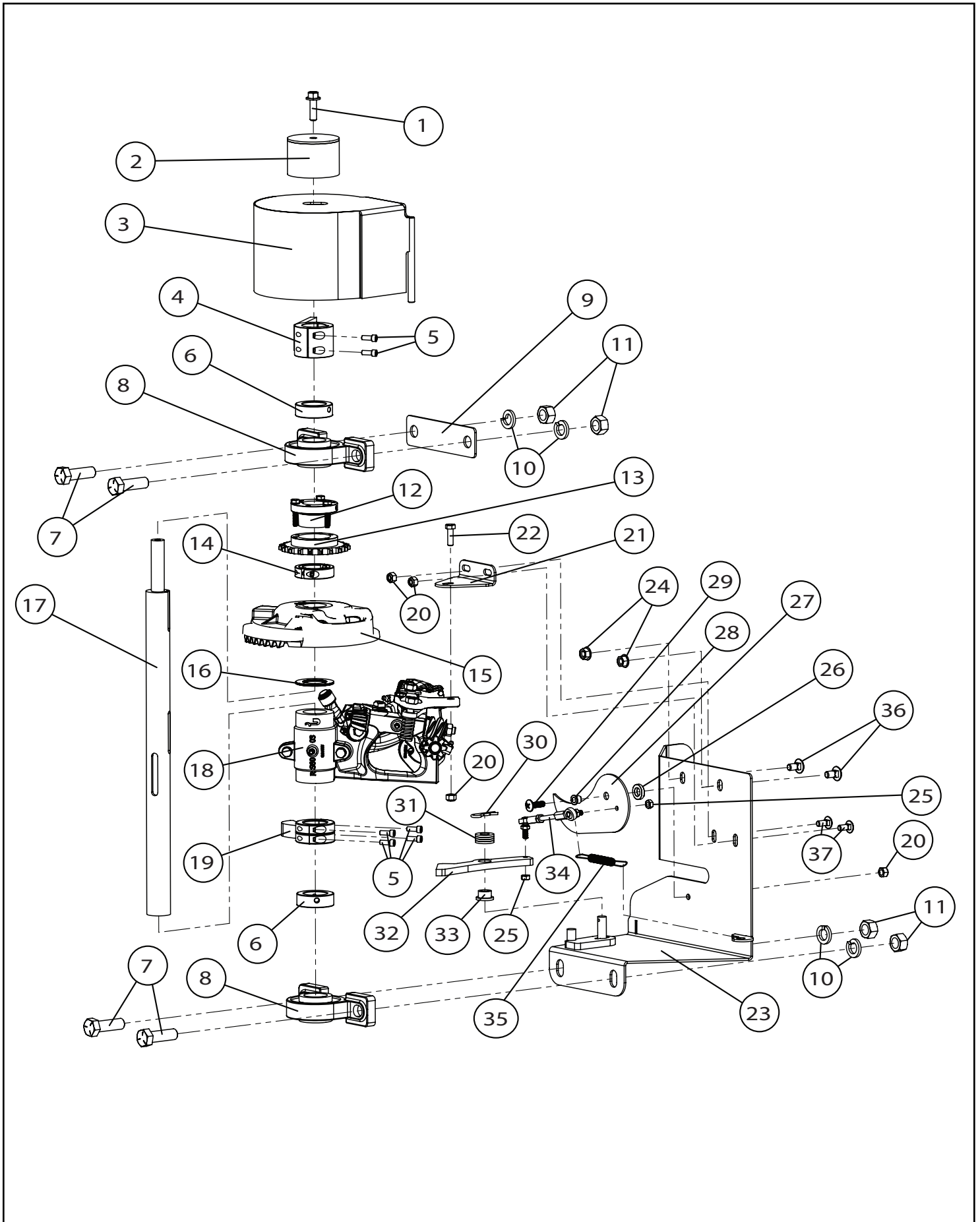
Item	Part Number	Description	Qty.
1	1011650	Twine Box Lid	1
2	1011600	Twine Box	1
3	1006430	Owner's Manual Tube	1
4	1006420	1-4 20 x 0.75 Hex Bolt Grade 5	5
5	1006070	1-4 20 Nylock Nut Grade 5	8
6	1010270	Twine Tensioner Plate	2
7	1009400	U-bolt, 5/16"-18 1-3/8" ID	1
8	1008930	Ceramic Insulator	1
9	1010330	Nylon Spacer	2
10	1010340	Twine Box Tensioner Spring	2
11	1010320	1-4 x 2" Hex Bolt Grade 5	2
12	1006080	5-16 18 Nylock Nut Grade 5	2
13	1007640	1-4 20 x 1.75 Hex Bolt Grade 5	1
14	1008800	3/8" Hose Clamp Body	2
15	1008810	3/8" Hose Clamp Cover Plate	1
16	1006300	3-8 16 x 0.75 Carriage Bolt Grade 5	4
17	1006190	3/8" Serrated Flange Nut	4

15.8 Plunger Valve Assembly



Item	Part Number	Description	Qty.
1	1008890	Plunger Valve Actuator	1
2	1006290	5-16 18 x 1 Hex Bolt Grade 5	2
3	1016280	Plunger Valve Regular	3
4	1015090	.75 OD Plunger Valve External Retaining Ring	4
5	1007400	5-16 18 x 2 Hex Bolt Grade 5	2
6	1016230	Actuator Bushing	1
7	1010870	5/16" Split Lock Washer	3
8	1006600	5-16 Standard Nut Grade 5	3
9	1006140	5-16" Washer	2
10	1007320	1-2 13 x 2 Hex Bolt Grade 5	1
11	1006170	1/2" Washer	3
12	1006210	1-2 13 Serrated Flange Nut Grade 5	12
13	1016300	8MB Plug	2
14	1017270	6MJ-8MB90 Adapter	2

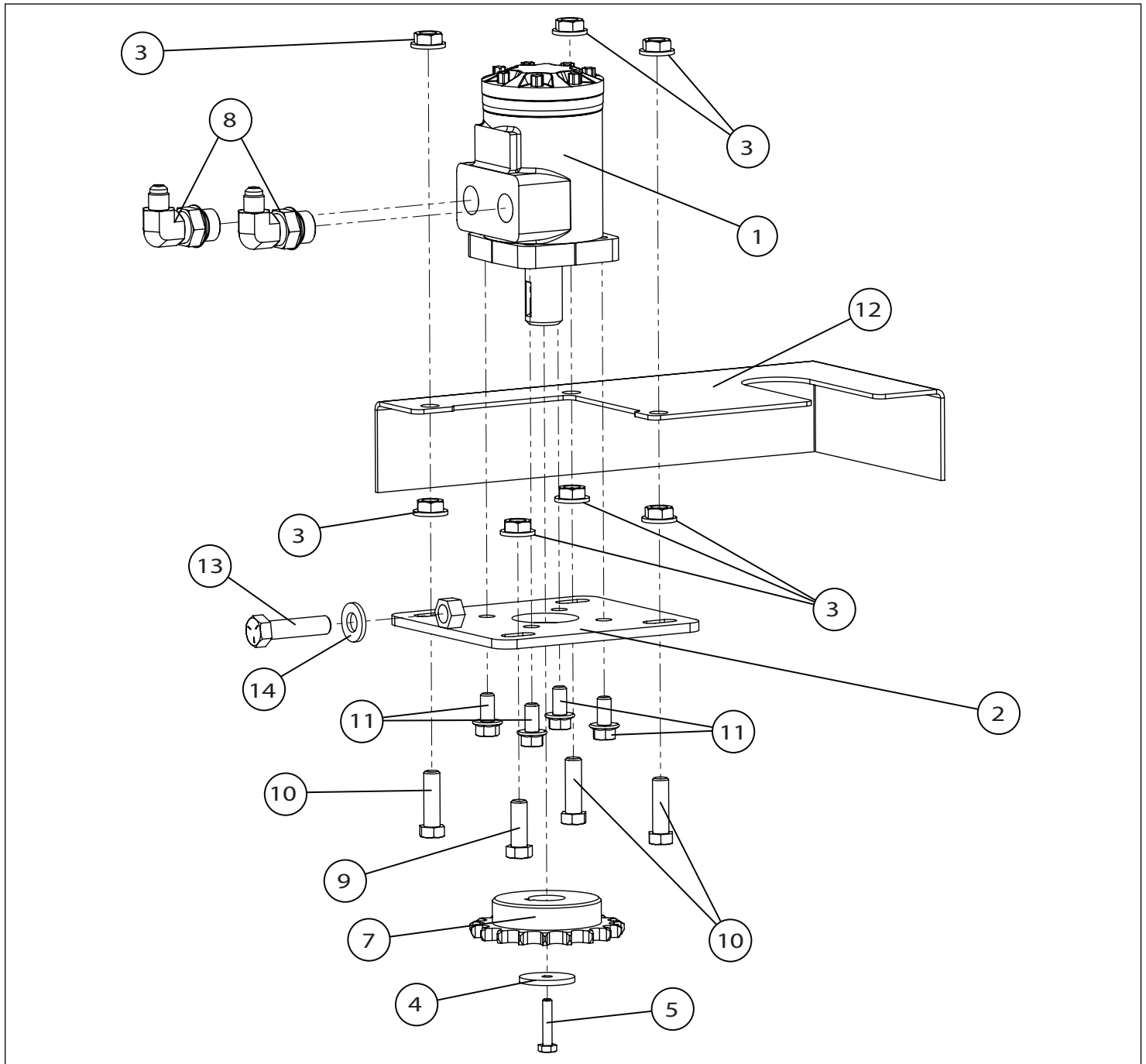
15.9 Knotter Main Assembly



Item	Part Number	Description	Qty.
1	1007390	3/8" x 1.25" Serrated Flange Bolt Grade 5	1
2	1010460	Knotter Indicator	1
3	1010470	Knotter Stop Shield	1
4	1008980	Shaft Mounted Knotter Stop	1
5	1016500	1/4-28 X 5/8 Zinc Plated Socket Head Cap Screw	6
6	1017520	Bearing Locking Collar for 1.375" Bearing	2
7	1007330	5/8" x 2" Bolt Grade 5	4
8	1017510	Knotter Bearing - 1.375"	2
9	1015870	Knotter Pocket Spacer	1
10	1010790	5/8" Lock Washer	4
11	1010800	5/8" Hex Nut	4
12	1016350	Taper Bushings	1
13	1016360	Knotter Sprocket	1
14	1012260	1.375 Double Split Collar	1
15	1017180	Knotter Hub	1
16	1017170	Knotter Shim	5-9
17	1008690	Knotter Shaft	1
18	1017190	Knotter Frame Assembly	1
19	1010290	Rocker Arm Cam	1
20	1006080	5/16 Nylock Nut	1
21	1010440	Knotter Holder	1
22	1006290	5/16" x 1" Bolt Grade 5	1
23	1010450	Knotter Pocket	1
24	1006190	3/8" Serrated Flange Nut	2
25	1010780	1/4" 28 Hex Nut	2
26	1016380	Tucker Finger Spacer	1
27	1010610	Tucker Finger	1
28	1010750	Tucker Finger Bushing	1
29	1010720	5/16" x 1" Phillips Head bolt	1
30	1008280	1/8" x 1 7/8" Cotter Pin	1
31	1006170	1/2" Washer	3-6
32	1012671	Rocker Arm	1
33	1016230	Actuator Bushing	1
34	1015210	Tucker Finger Linkage (2- Ball joint ends 1- Threaded rod 1/4" 1- 1/4"-28 Nut)	1
35	1010770	Tucker Finger Spring	1
36	1006300	3/8" x 3/4" Carriage Bolt Grade 5	2
37	1010880	5/16" x 0.75" Carriage Bolt Grade 5	2

* Parts not shown in diagram

15.10 Knotter Motor Group



Item	Part Number	Description	Qty.
1	1016420	Hydraulic Motor	1
2	1010480	Motor Mounting Plate	1
3	1006200	7/16"-14 Serrated Flange Nut Grade 5	7
4	1010300	1-4" x 1.5" Fender Washer	1
5	1007630	1-4 20 x 1.25 Hex Bolt Grade 5	1
*	1009730	1/4" Split Lock Washer	1
7	1016620	Large Sprocket For HYD Motor	1
8	1016290	6MJ-10MB90 Adapter	2
9	1007270	7/16"-14 x 1.25" Hex Bolt Grade 5	1
10	1010310	7/16" x 1.5" Grade 5 Bolt	3
11	1006330	3/8 16 x 0.75 Serrated Flange Bolt	4

Item	Part Number	Description	Qty.
12	1010420	Knotter Chain Shield, Narrow	1
	1010430	Knotter Chain Shield, Wide	
*	1020030	Chain for Knotter, Narrow	1
	1020040	Chain for Knotter, Wide	
13	1007320	1-2 13 x 2 Hex Bolt Grade 5	1
14	1006170	1/2" Washer	1

* Parts not shown in diagram

NOTES



Norden Mfg LLC
4210 Kinsman Road NW
North Bloomfield, OH 44450

(877) 296-5851
www.Nordenmfg.com
support@Nordenmfg.com